

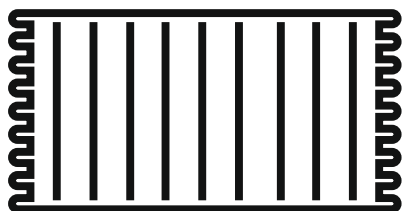
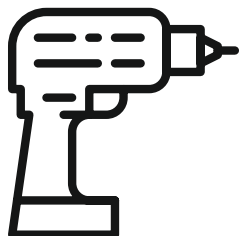
You need



0.5 hours



2 people

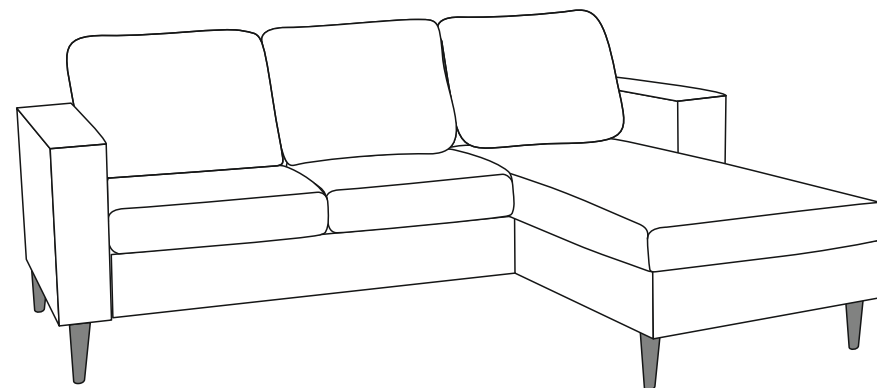


Place your product on a soft surface when mounting

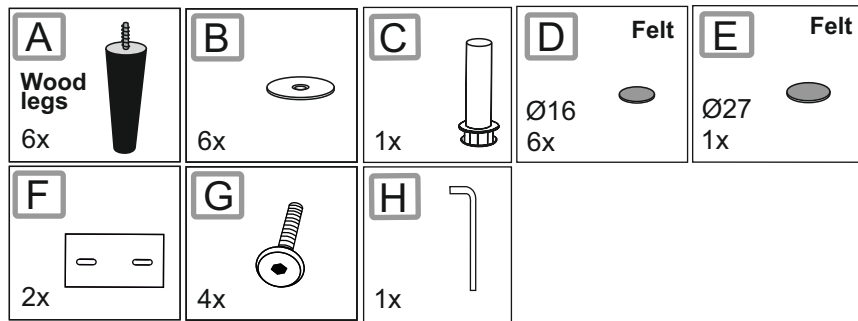
Assembly instruction

Klein

1800/3+RD



Components - Fittings



Assembly instruction

