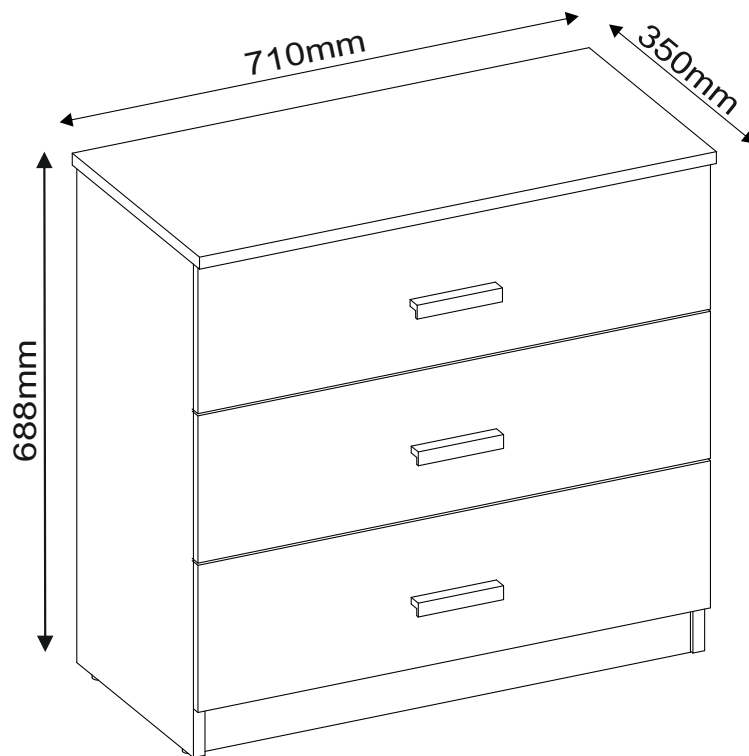
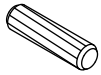
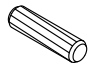
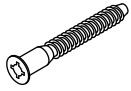
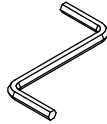






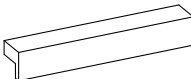



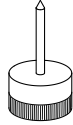

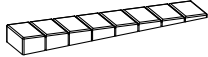
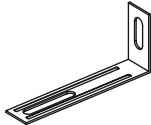

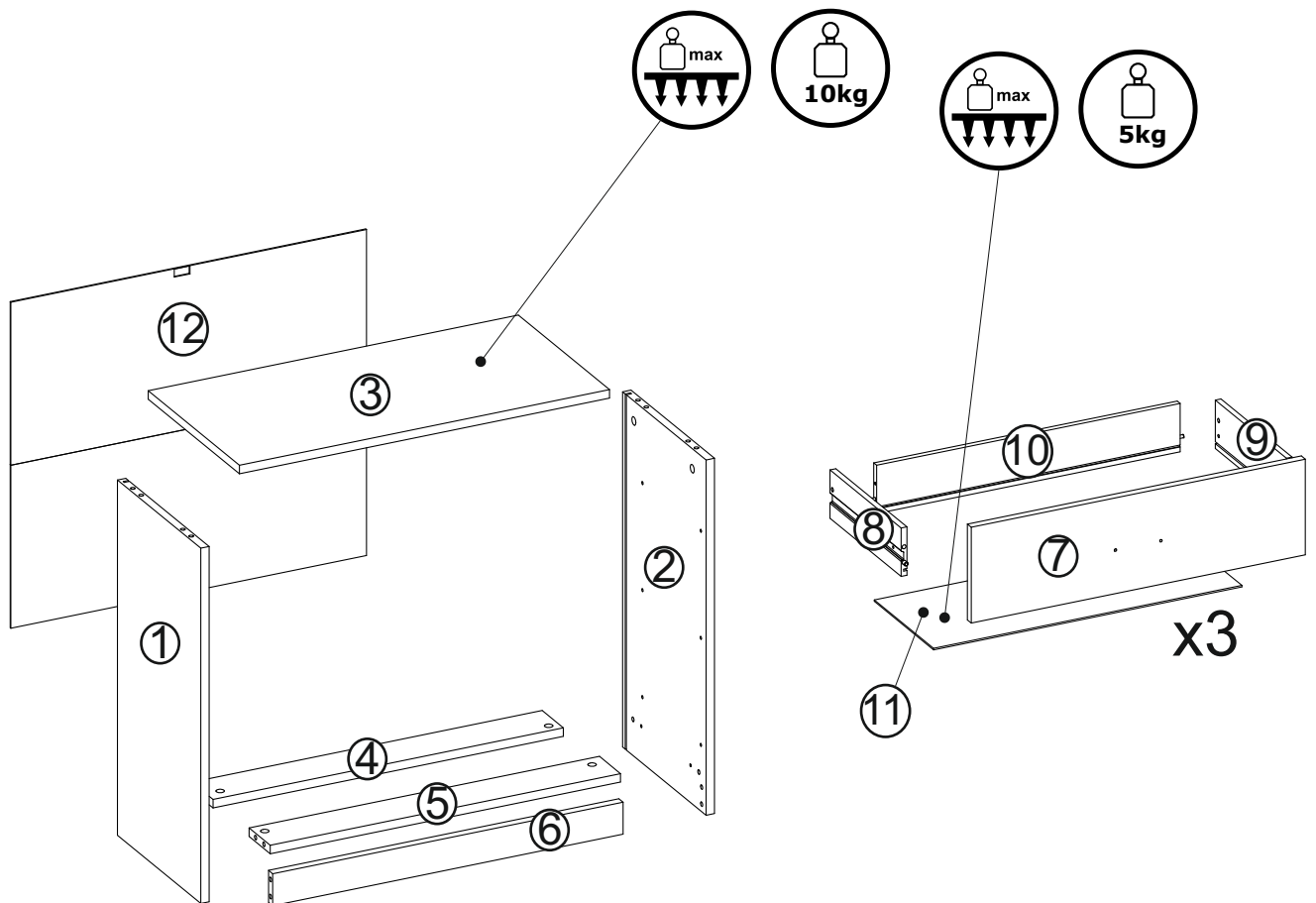
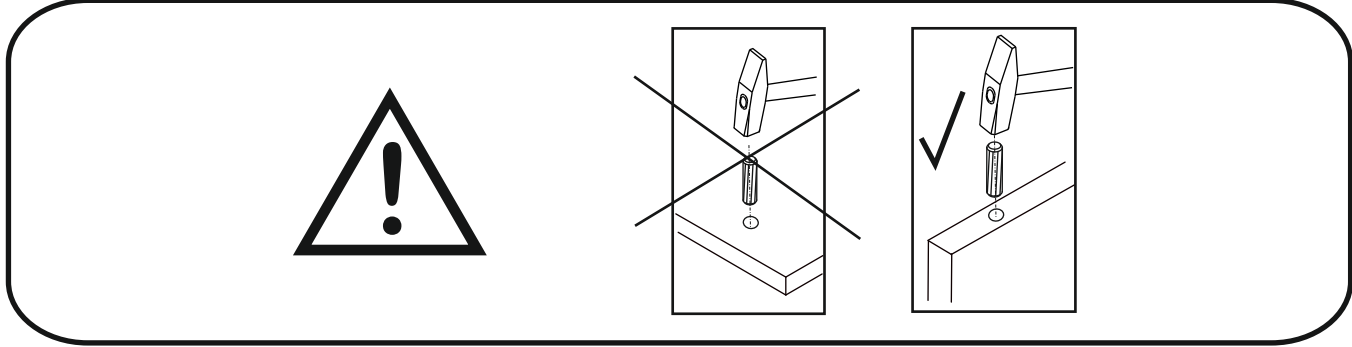
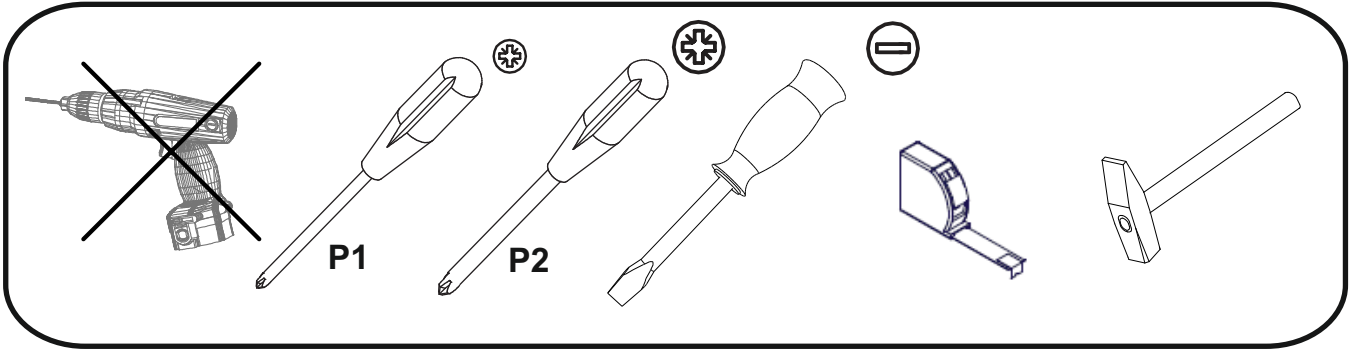


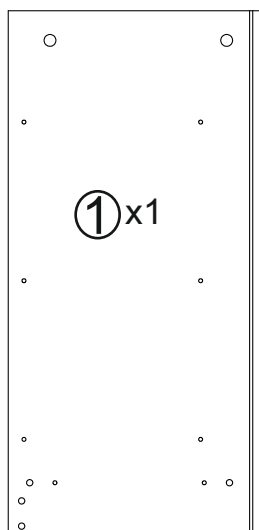
# 3011461



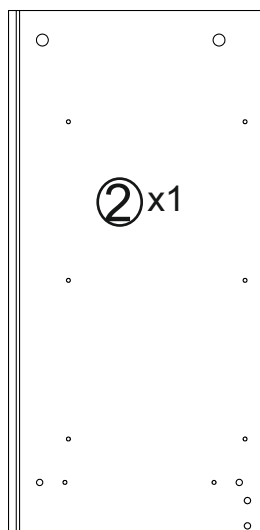
 Ø8x35 mm <b>Ax12</b>	 Ø6x30 mm <b>Bx12</b>	 Ø7x50 mm <b>Cx6</b>	 <b>Dx1</b>	 15x13 mm <b>Ex8</b>
 43 mm <b>Fx14</b>	Ø 20 mm  <b>Gx10</b>	 Ø6,3x13 mm <b>Ix12</b>	 M4x9 mm <b>Jx6</b>	 <b>Kx9</b>
140 mm  <b>Lx3</b>	 4x27 mm <b>Mx6</b>	278 mm  <b>Nx6</b>		 ØUP 3x20 mm <b>Ox4</b>
 <b>Px4</b>	 12x10 mm <b>Rx6</b>	 <b>Sx2</b>	 <b>Tx1</b>	 Ø3,5x16 mm <b>Ux1</b>



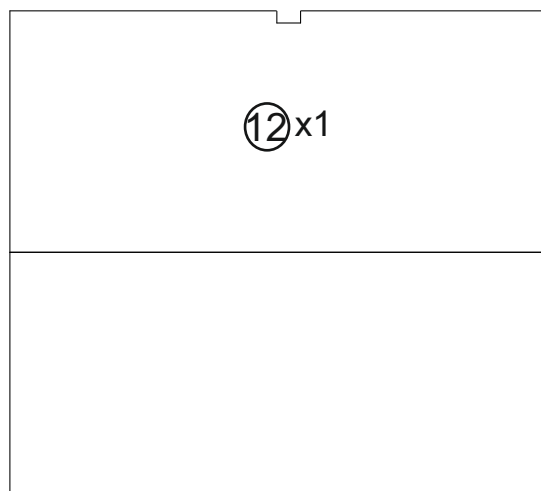
# BOX 1/1



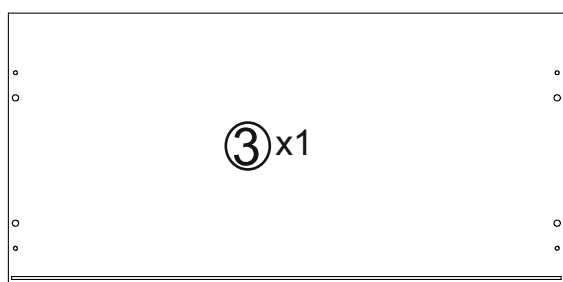
667x320x18 mm



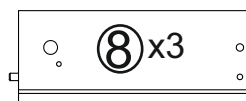
667x320x18 mm



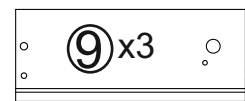
682x612x3 mm



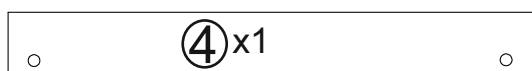
710x350x18 mm



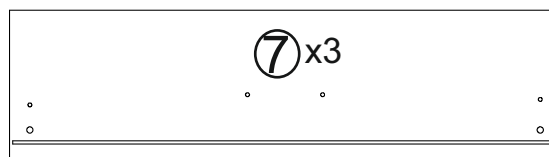
300x100x12 mm



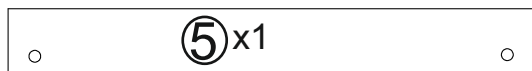
300x100x12 mm



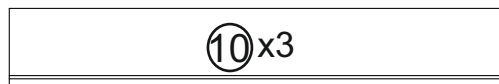
672x81x18 mm



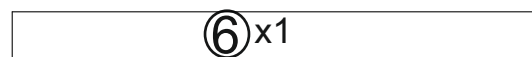
704x198x18 mm



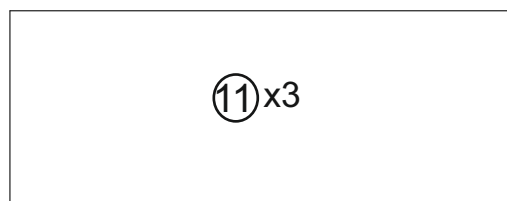
672x81x18 mm



640x100x12 mm



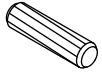
672x60x18 mm



650x302x3 mm

Fittings & tools

1



Ax4



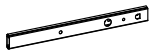
Ex4



Fx4



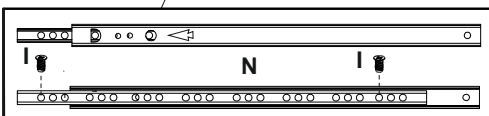
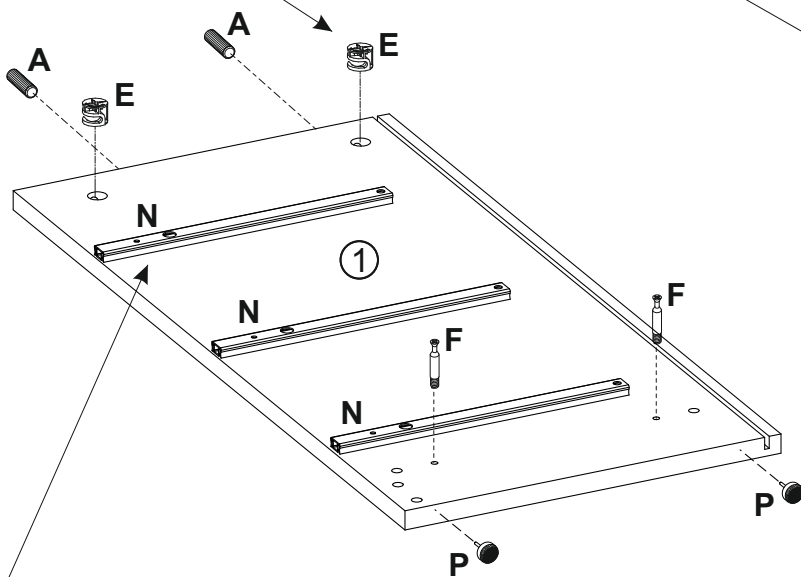
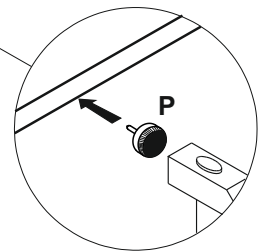
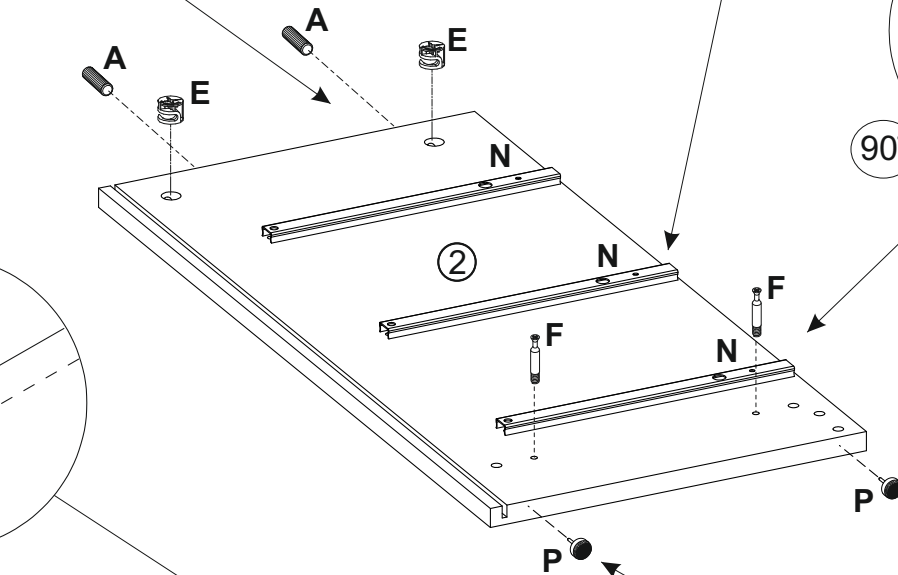
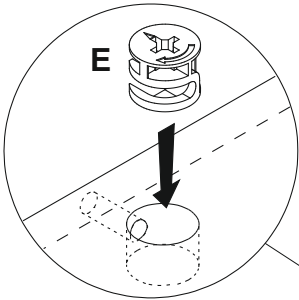
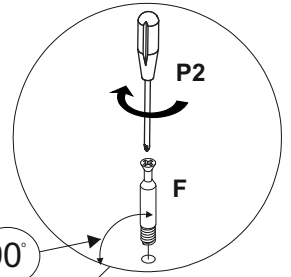
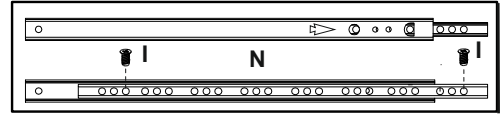
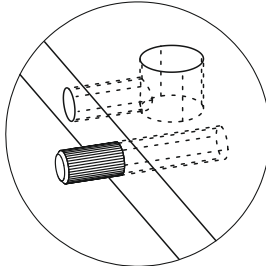
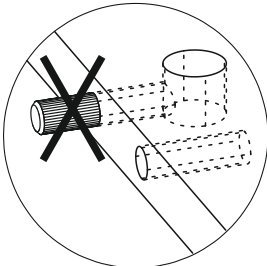
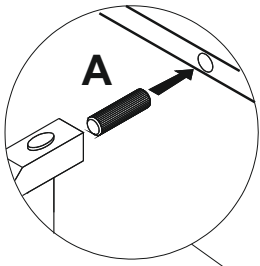
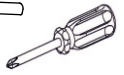
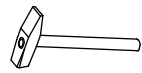
Ix12



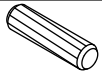
Nx6



Px4



2



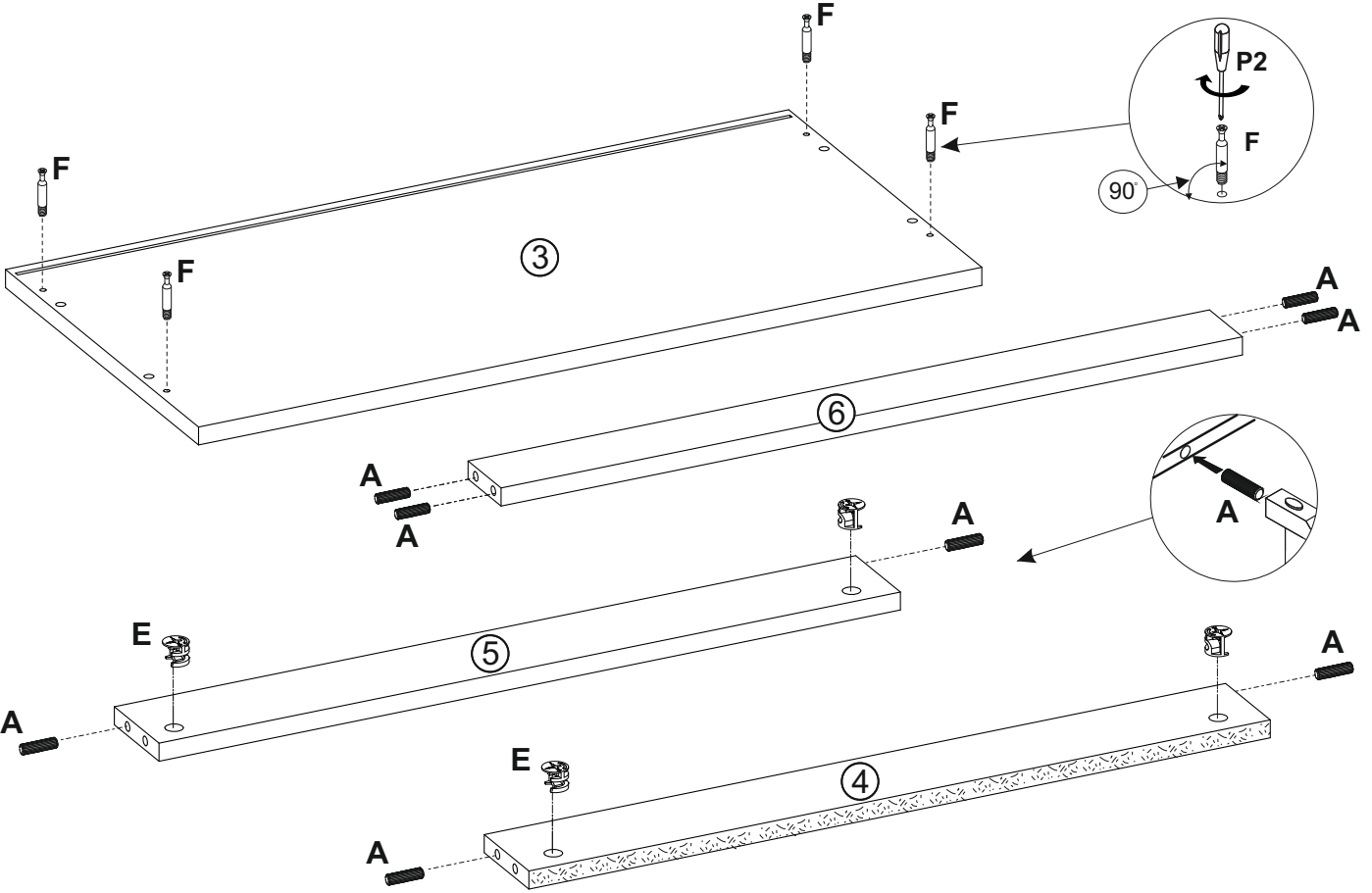
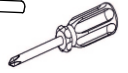
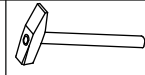
Ax8



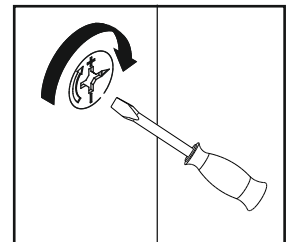
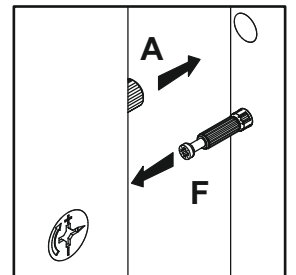
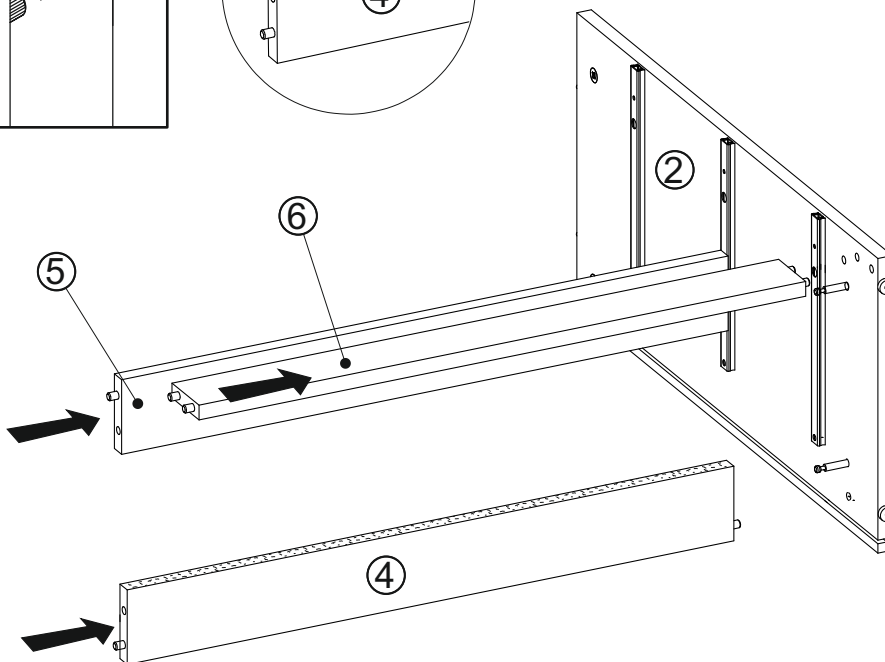
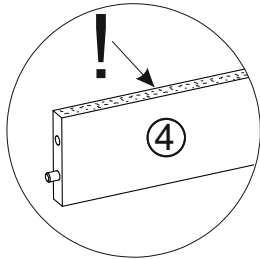
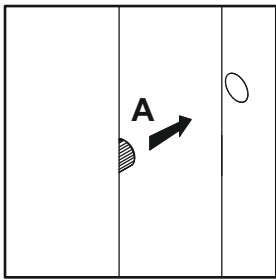
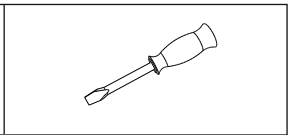
Ex4



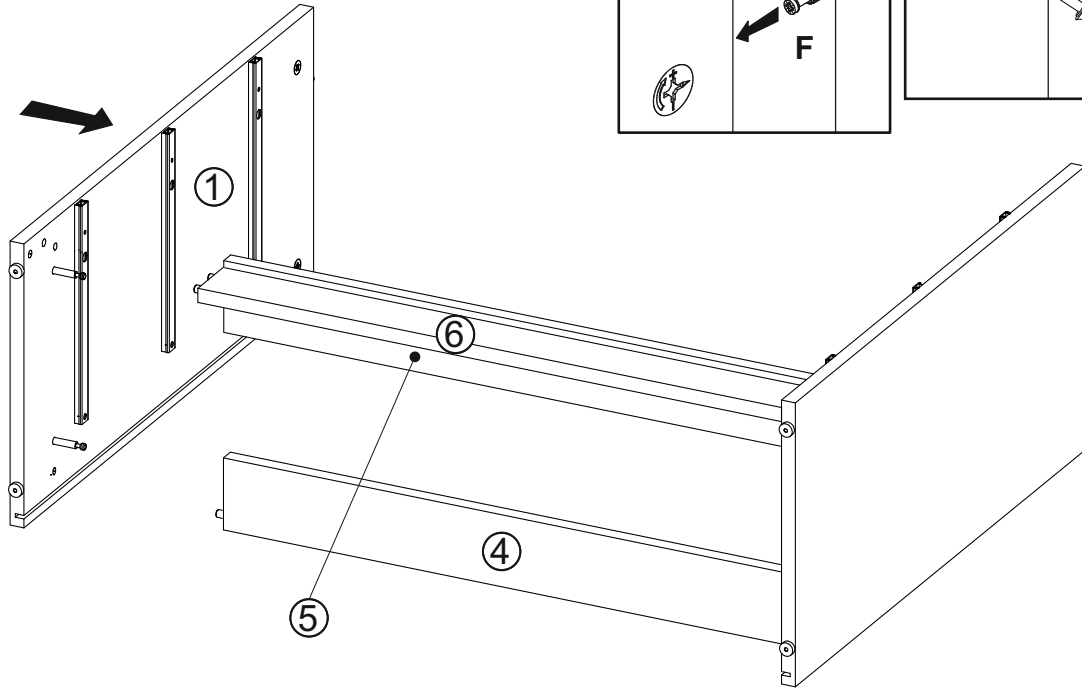
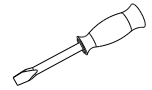
Fx4



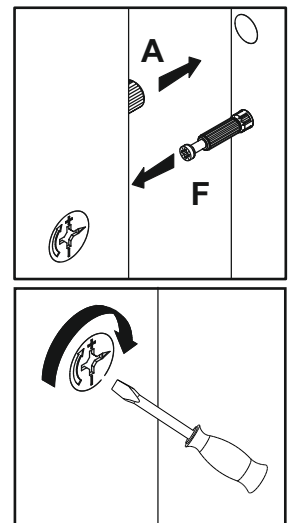
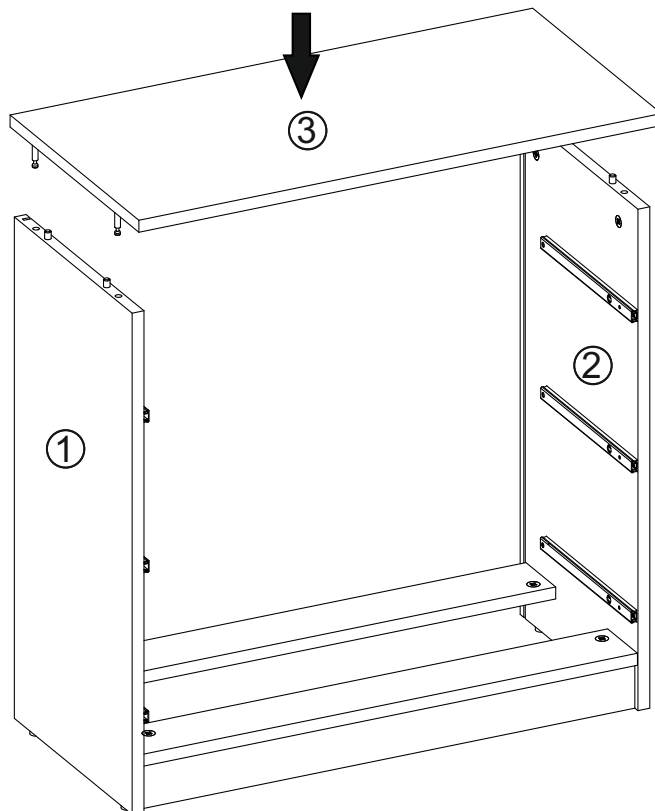
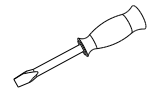
3



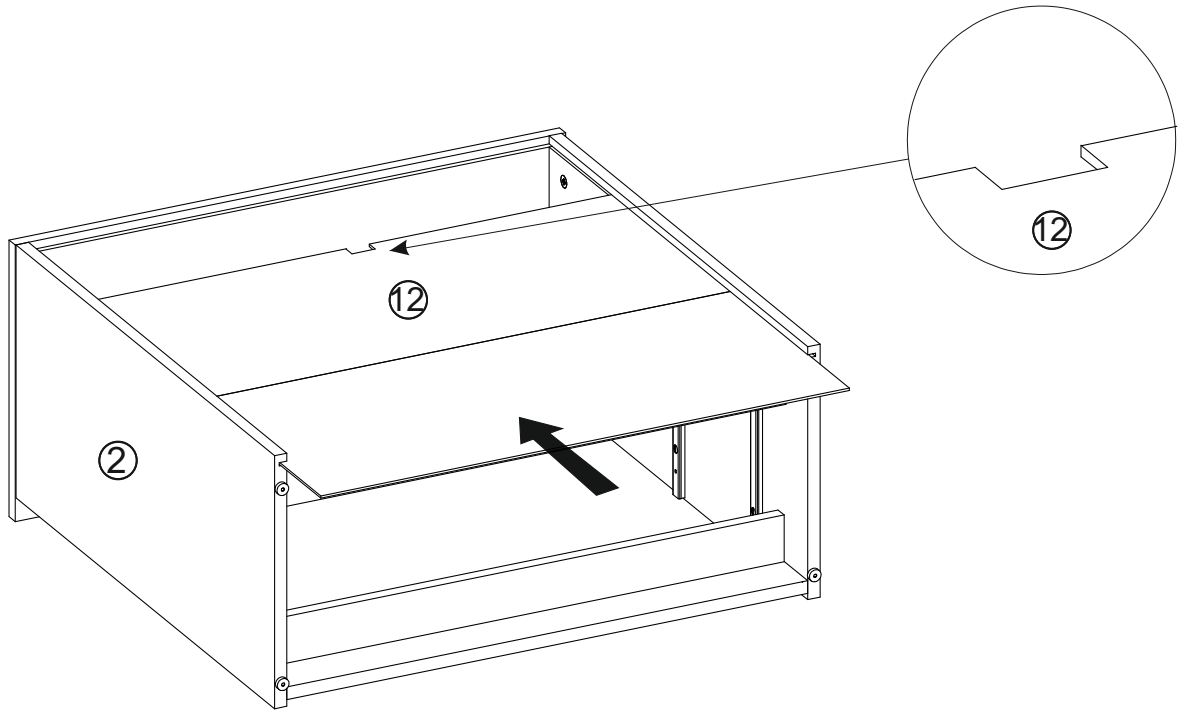
4



5



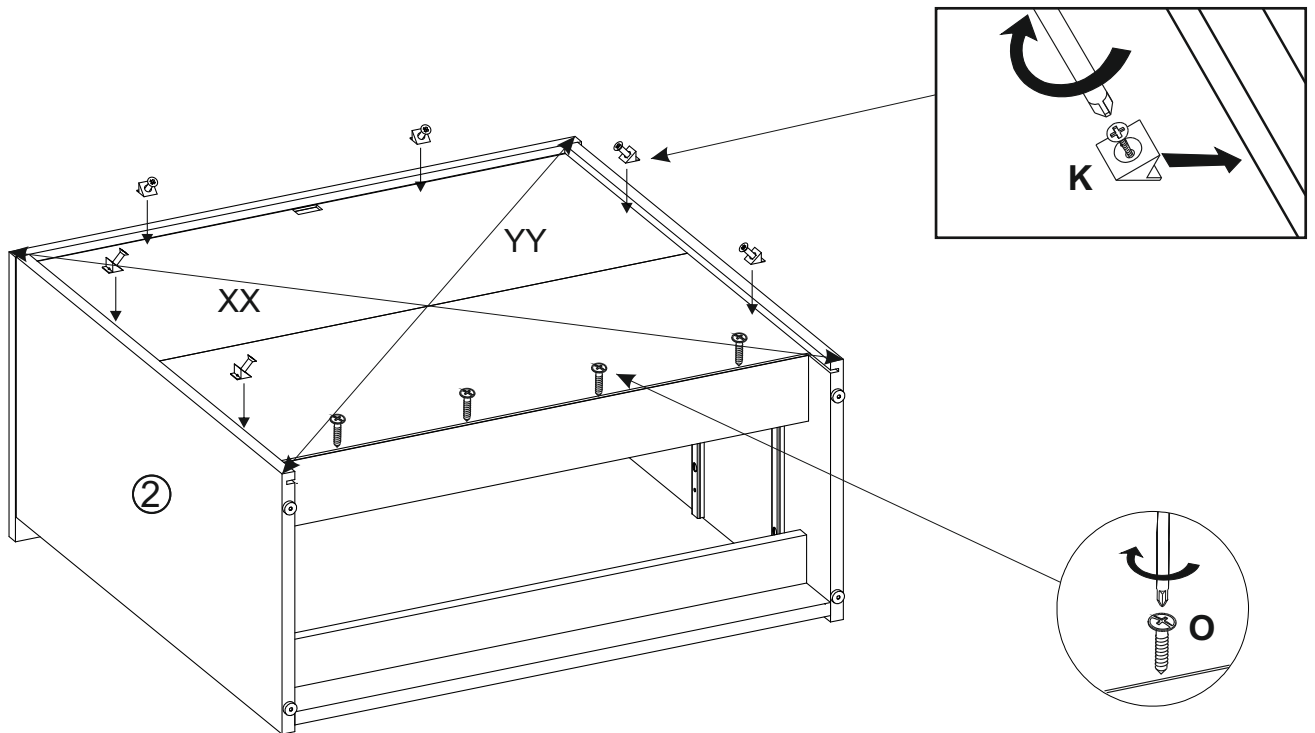
6



7



$XX=YY=90^\circ$





8



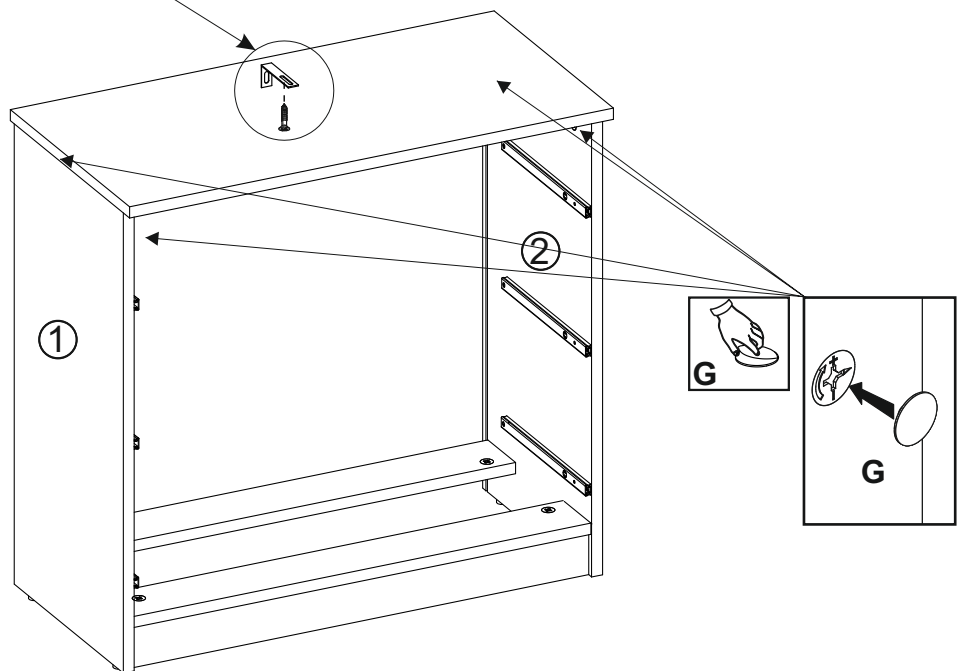
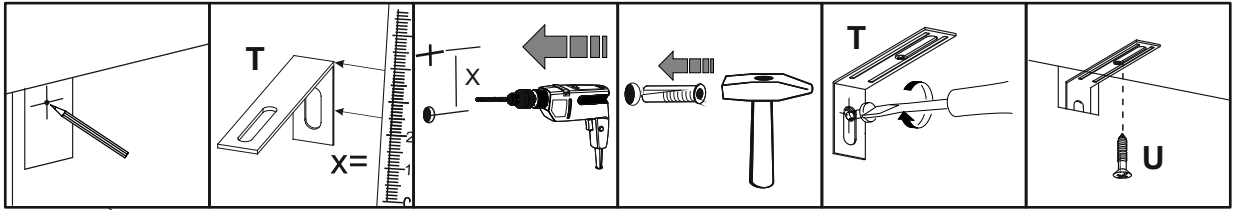
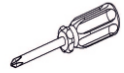
Tx1



Ux1



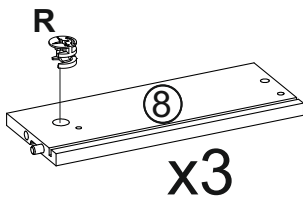
Gx4



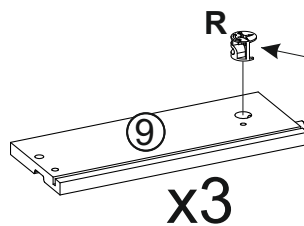
9



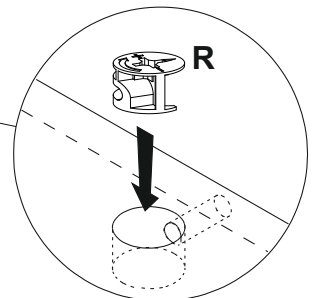
Rx6



x3

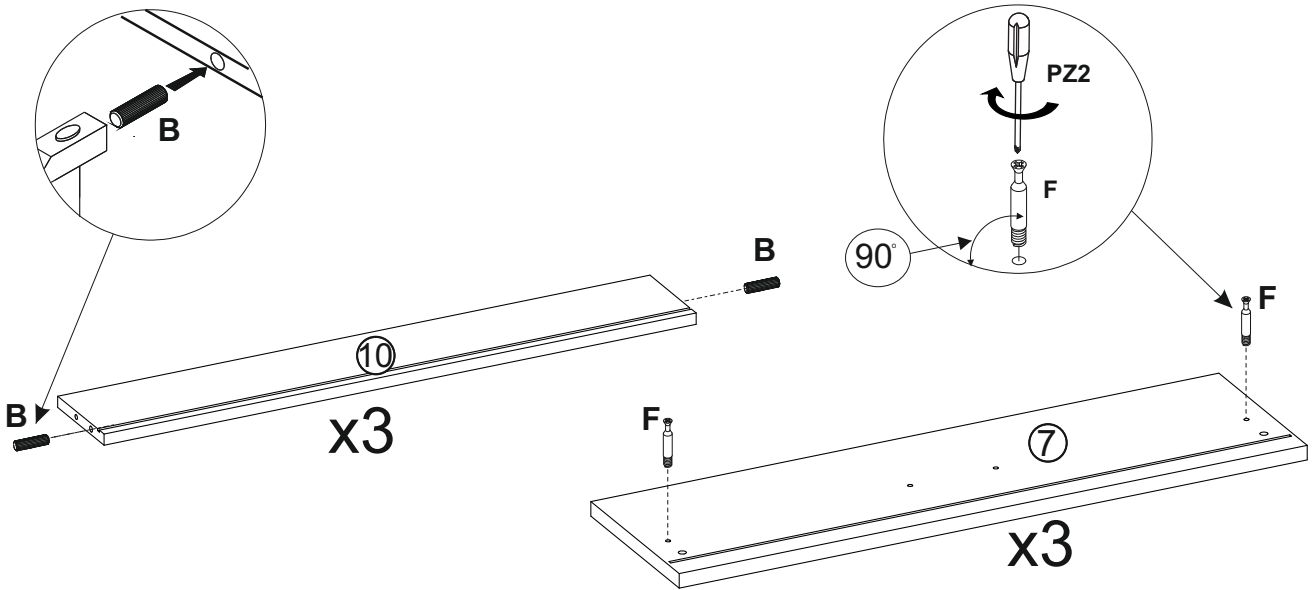
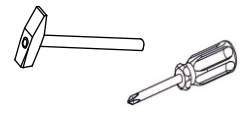


x3



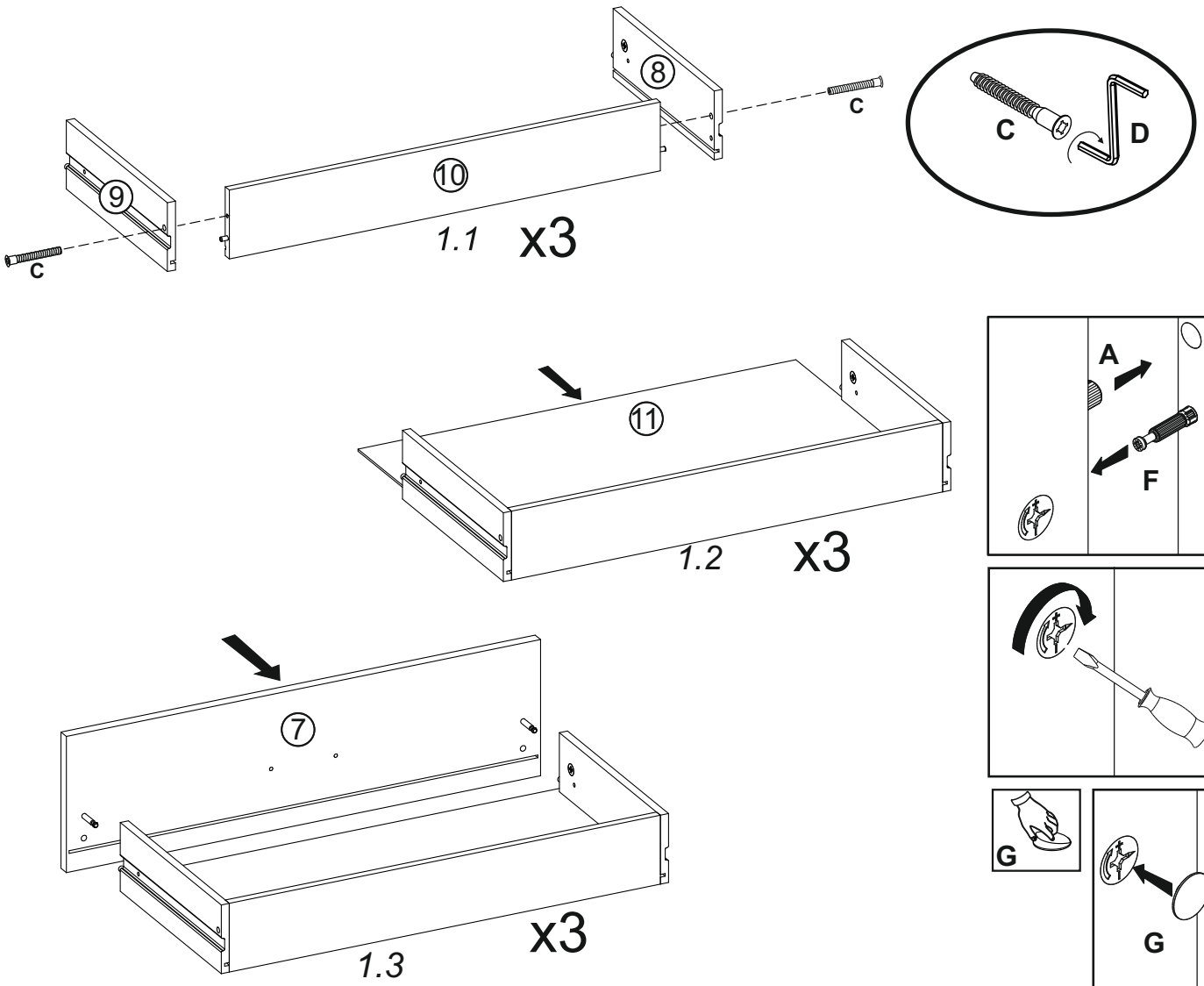
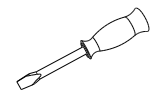
10

Bx6 Fx6



11

Cx6 Dx1 Gx6



12



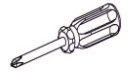
Kx3



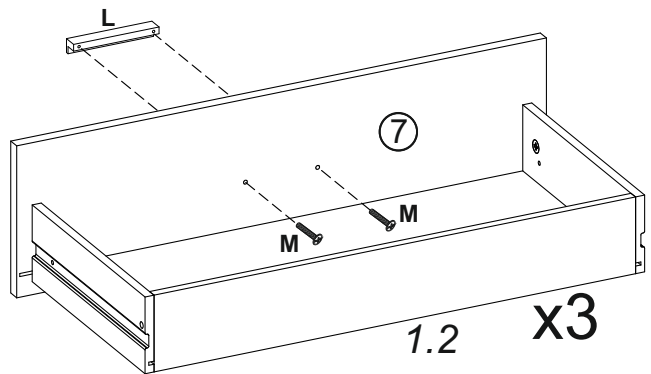
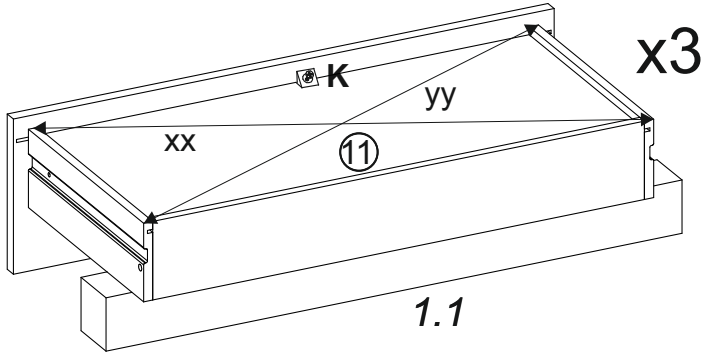
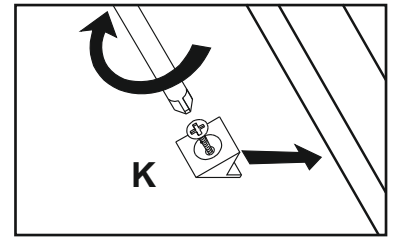
Lx3



Mx6



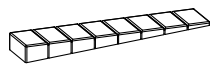
!  
xx=yy=90°



13



Jx6



Sx2

