

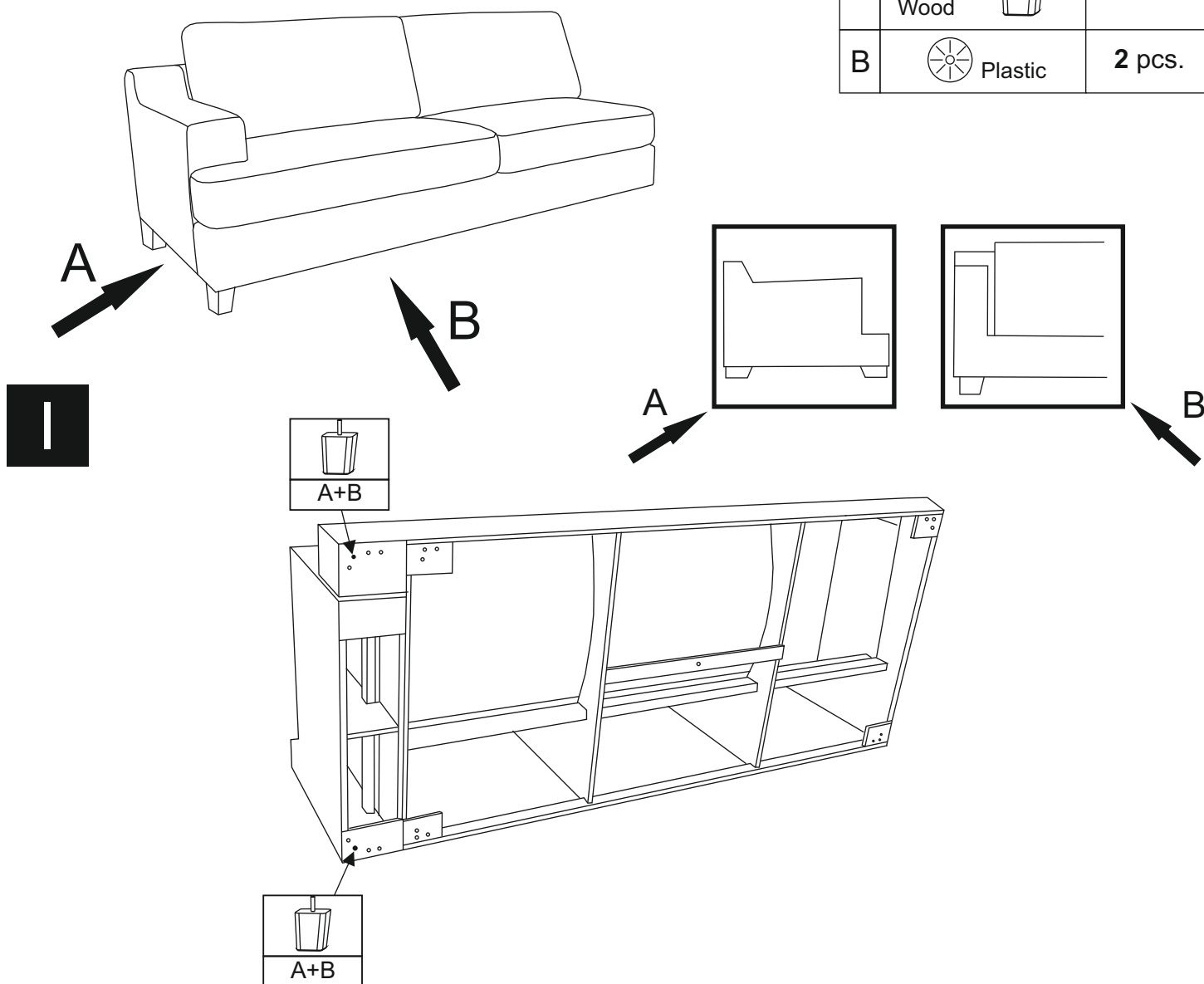


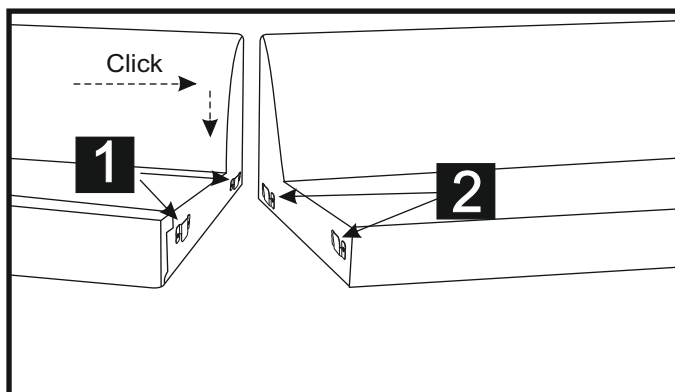
# Modular sofa - ARMREST+SEATER

A	Wood 	2 pcs.
B	 Plastic	2 pcs.



## II

Attach parts of the sofa

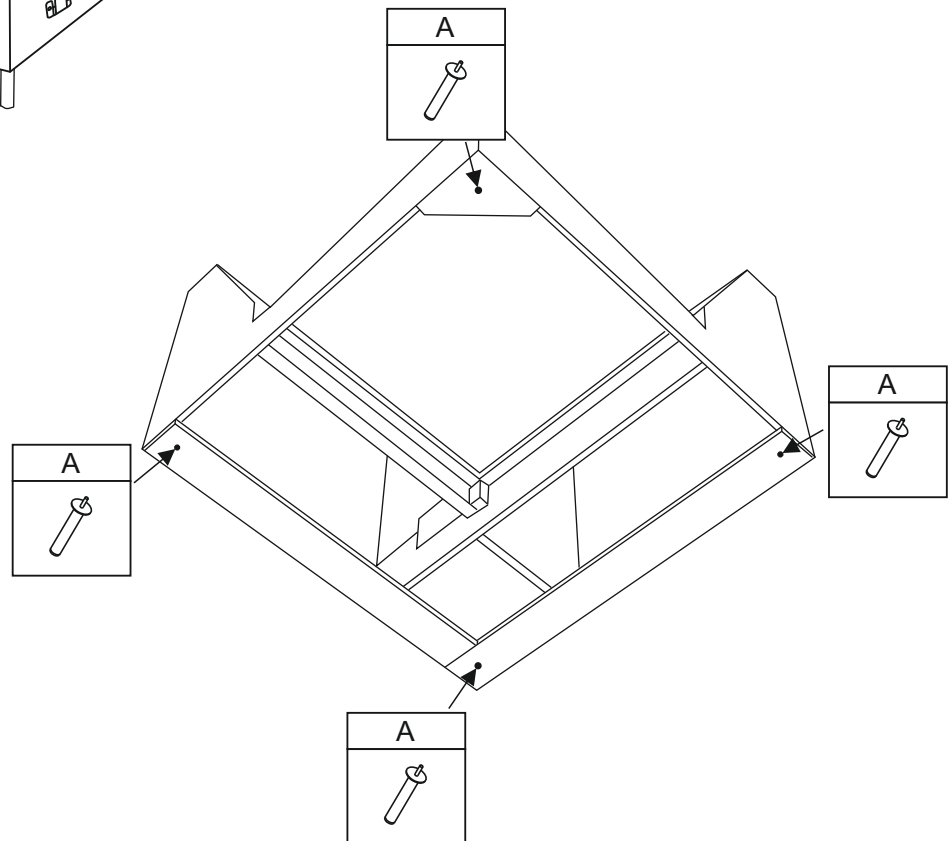
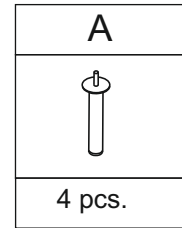
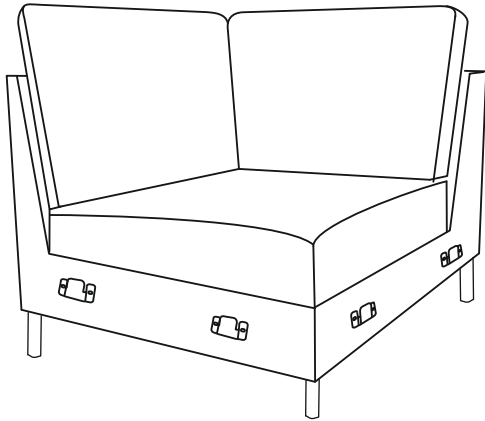


**IMPORTANT** While attaching parts make sure hooks No **1** fit with hooks No **2**

**IMPORTANT** Package with legs is attached at the bottom of the sofa.

# Modular sofa - CORNER

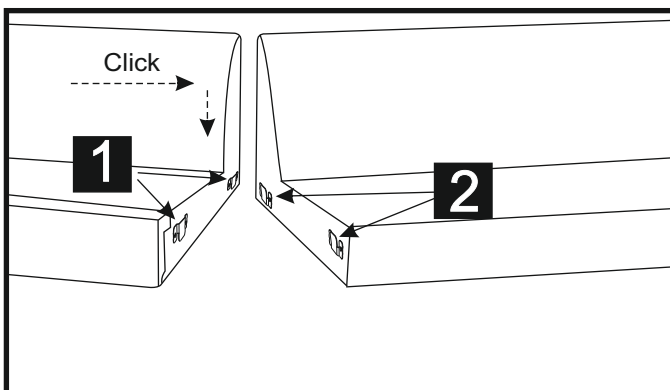
I



**IMPORTANT** Package with legs and other fittings is attached at the bottom of one of the parts of the sofa.

II

Attach parts of the sofa



**IMPORTANT** While attaching parts make sure hooks No **1** fit with hooks No **2**