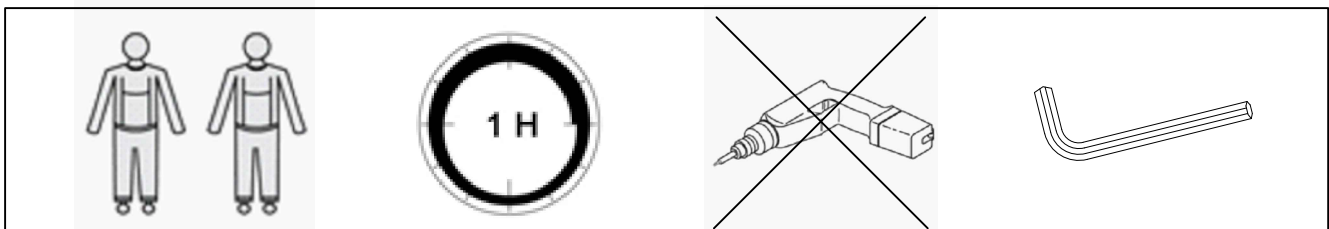
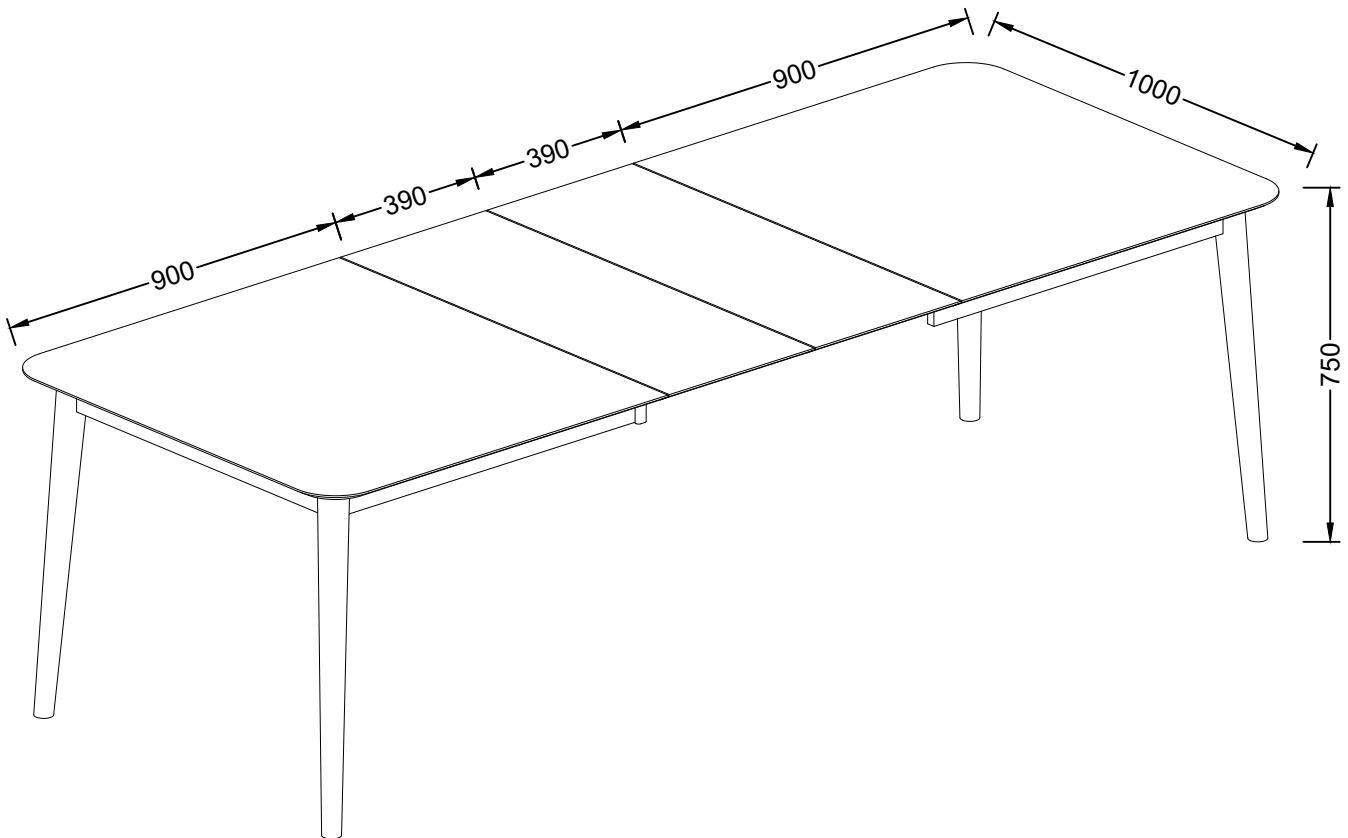
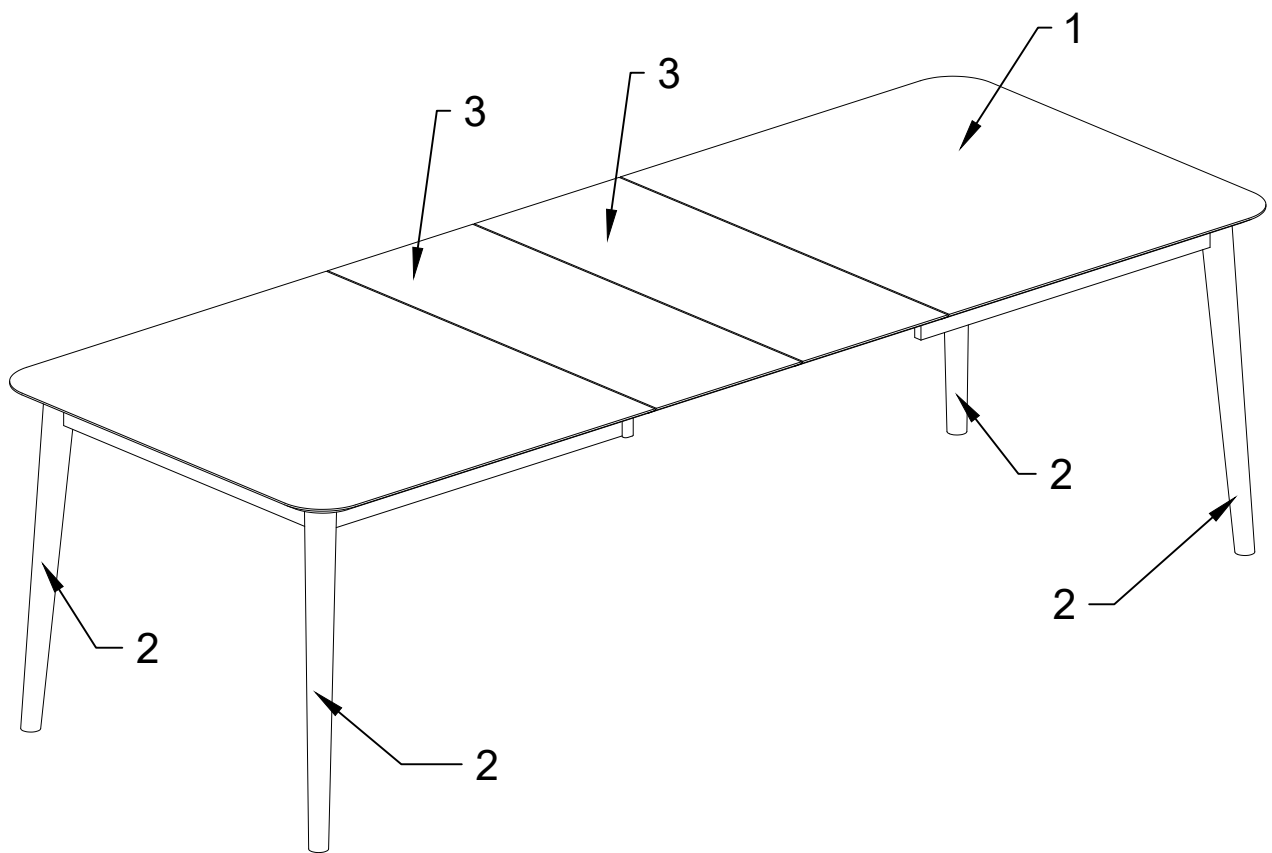


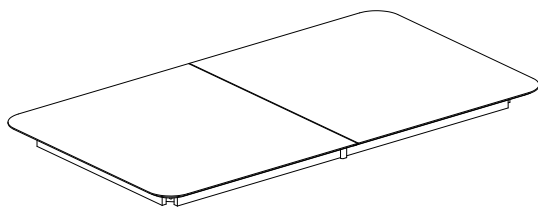
Harding



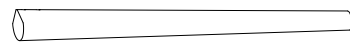


1	(900+900) x 1000 x 83mm
2	Ø65 x 730mm
3	390X1000

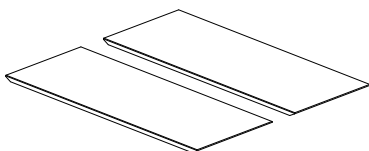
1x1

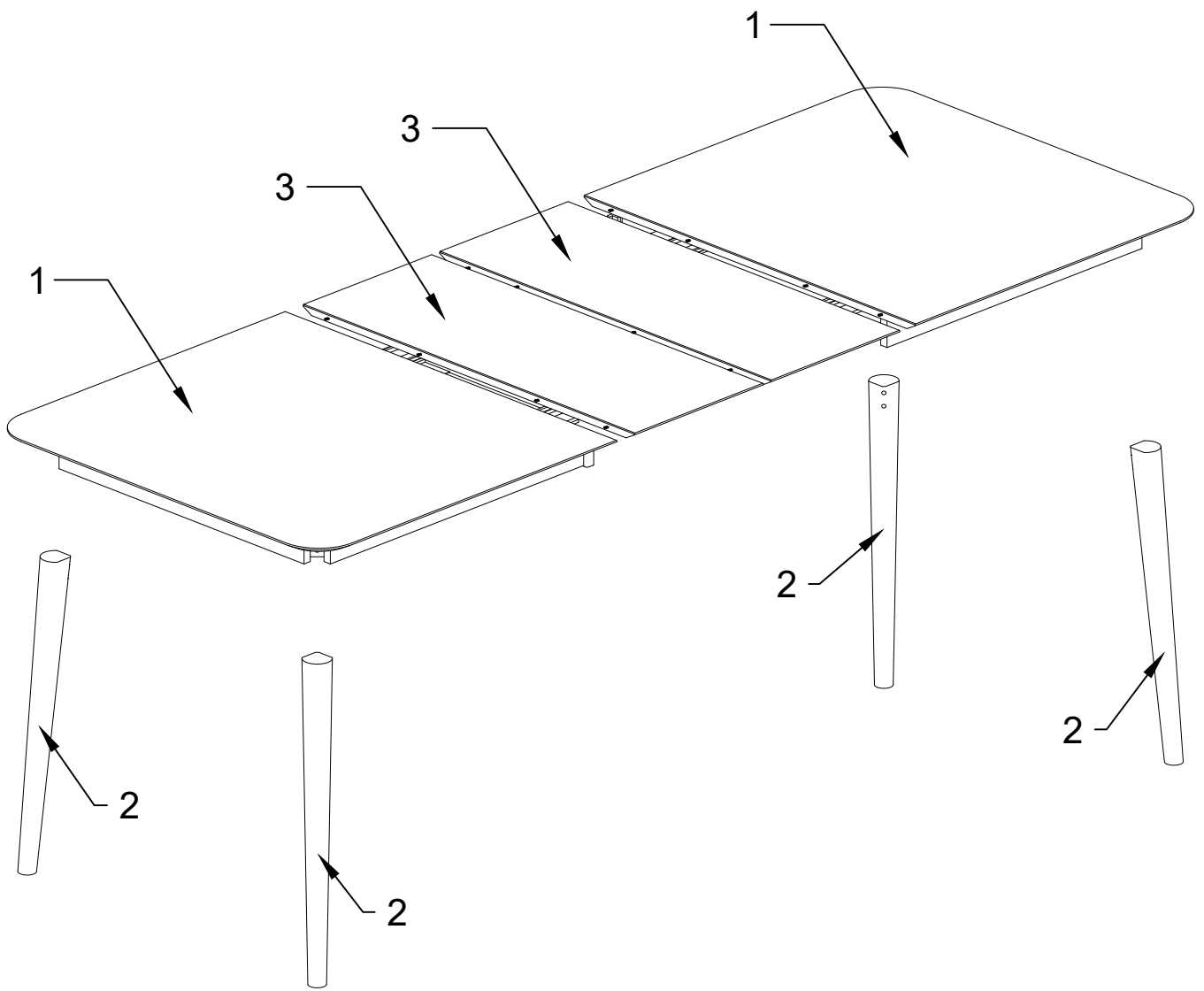


2x4

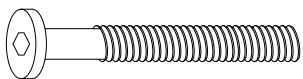


3x2





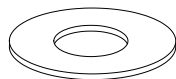
Ax8
ø8x70mm



Bx8
ø8mm



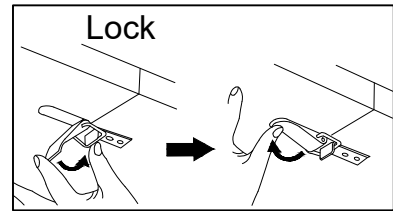
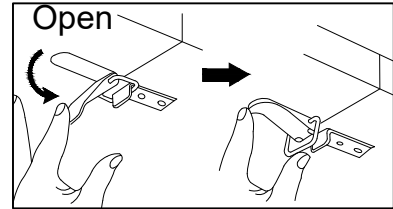
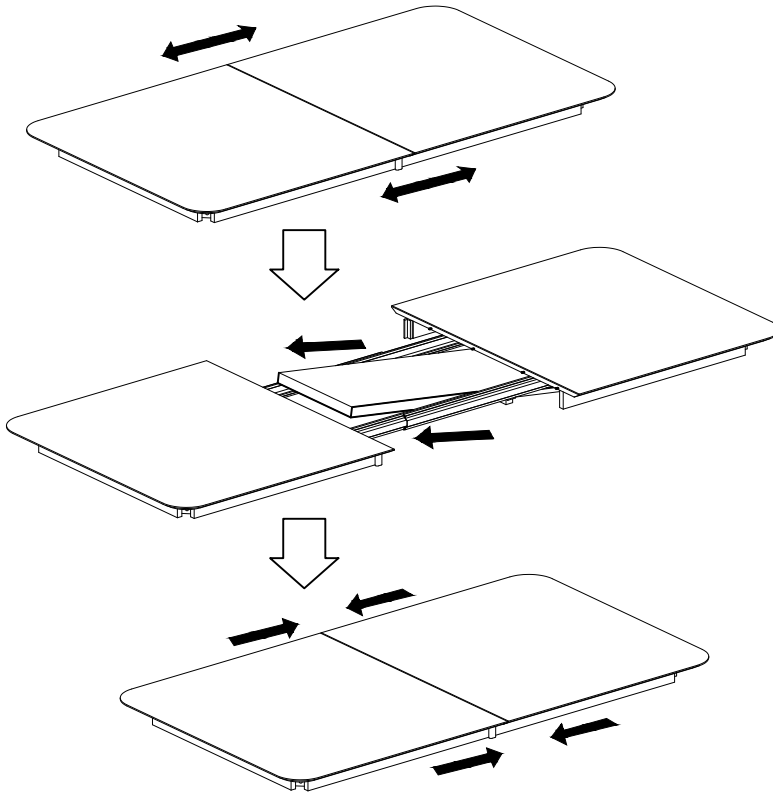
Cx8
ø8mm



Dx1
ø5mm

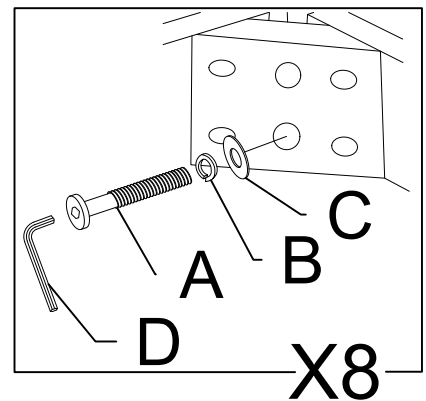
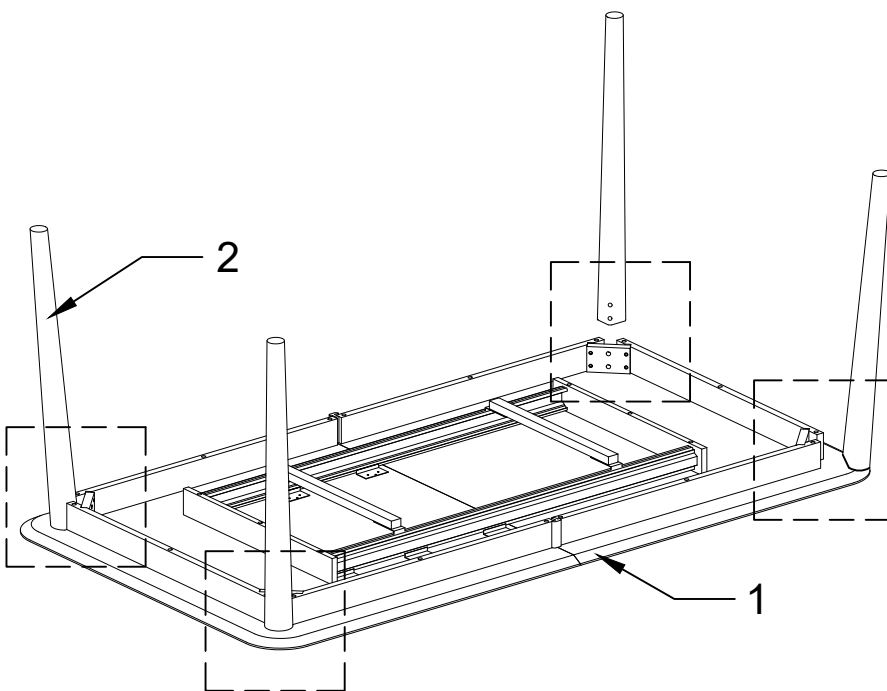


1



2

<p>Ax8 ø8x70mm</p>	<p>Bx8 ø8mm</p>
<p>Cx8 ø8mm</p>	<p>Dx1 ø5mm</p>



3

