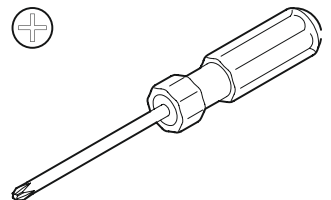
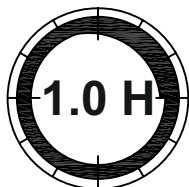
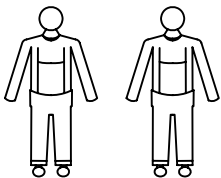
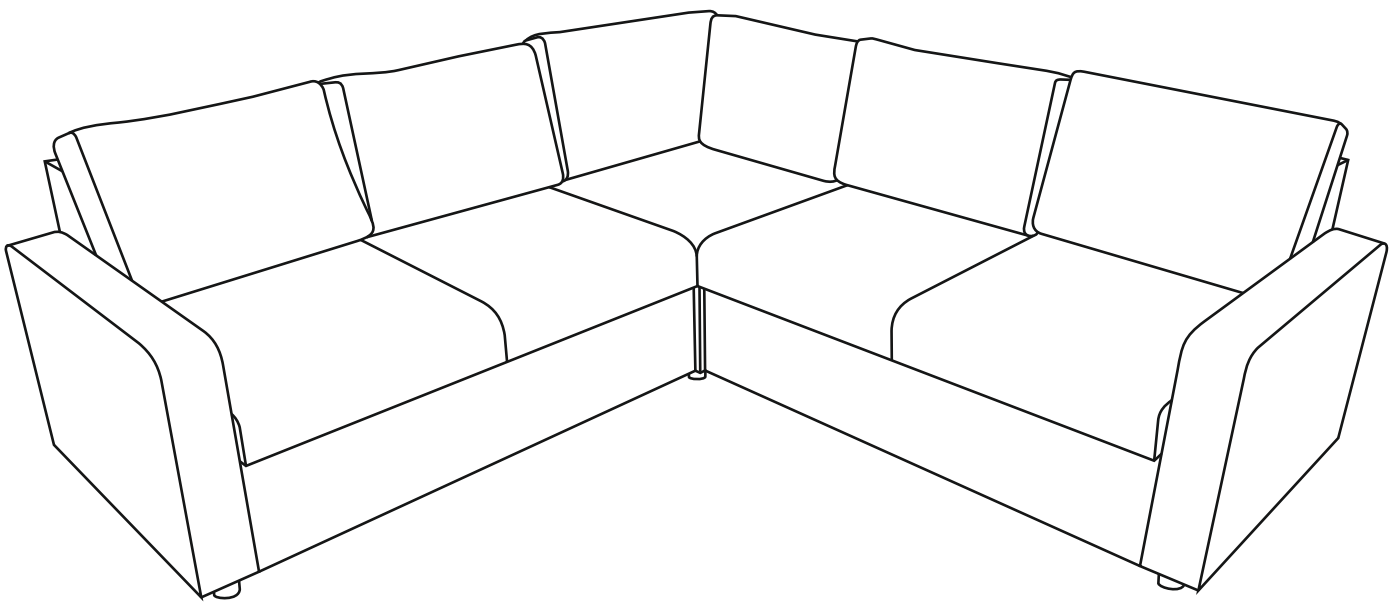
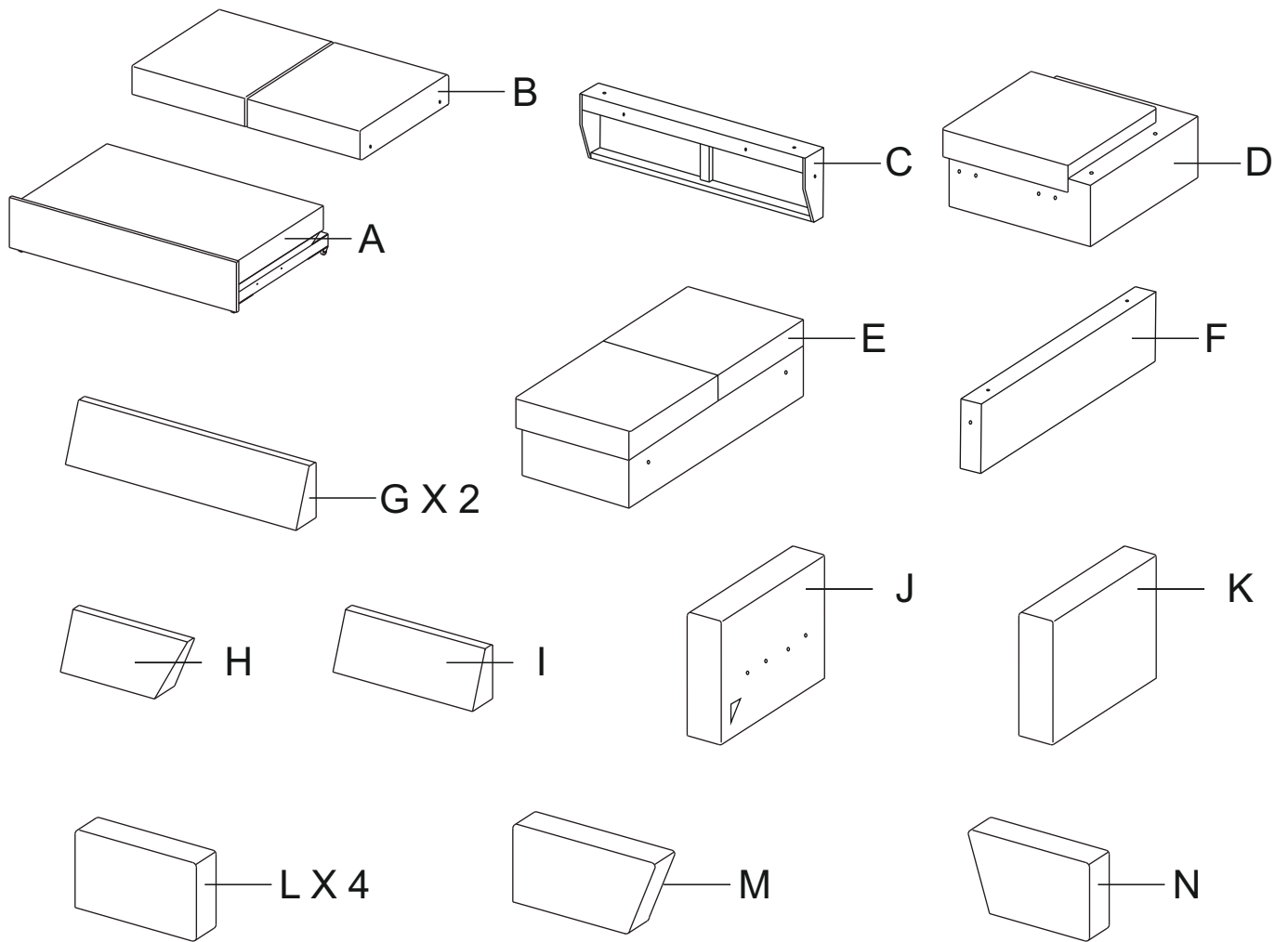

Oregon 2-seater + corner + 2-seater



Oregon 2-seater + corner + 2-seater



M8 X 50 mm

Ø8 X Ø24 mm

Ø8 X Ø13 mm

M8 X 47 mm

Ø45 X 35 mm

O X 11

P X 26

Q X 13

R X 8

S X 8



32 mm

M8 X 70 mm

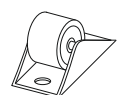
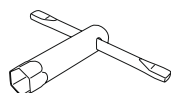
50 X 20 X 35 mm

T X 16

U X 2

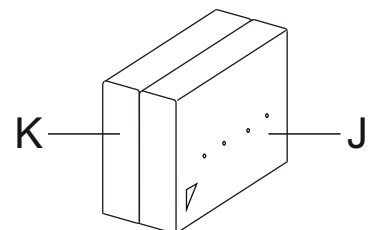
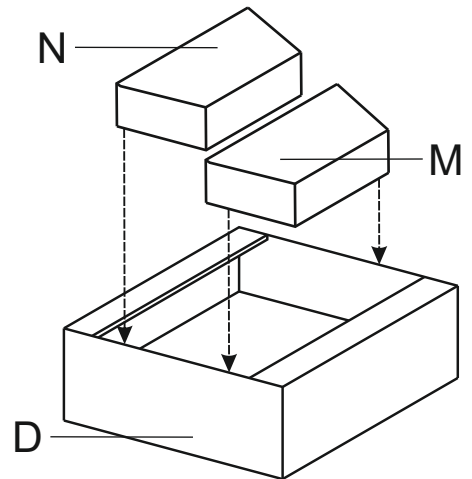
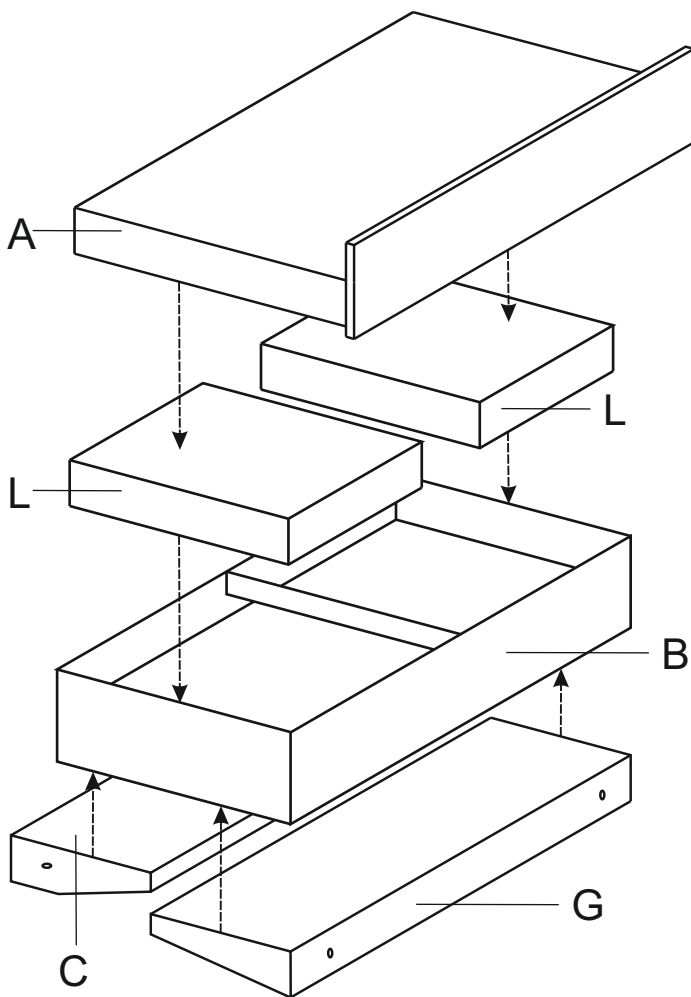
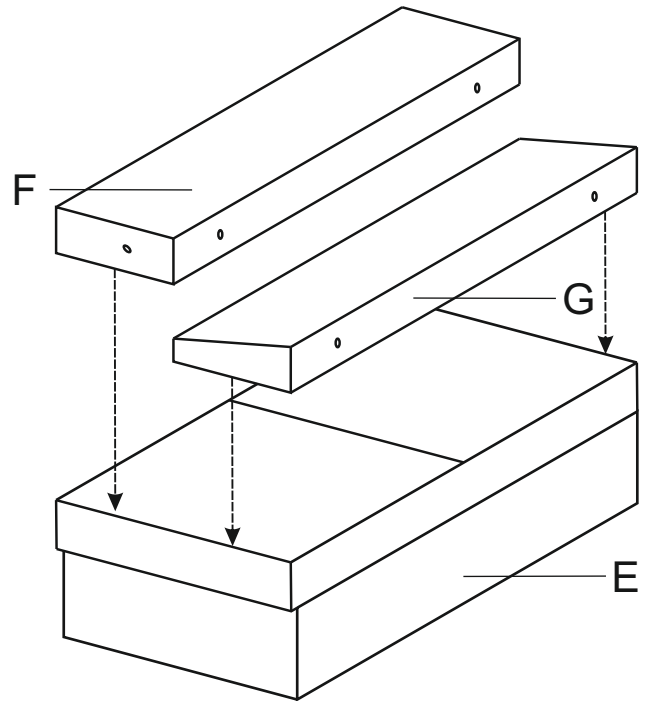
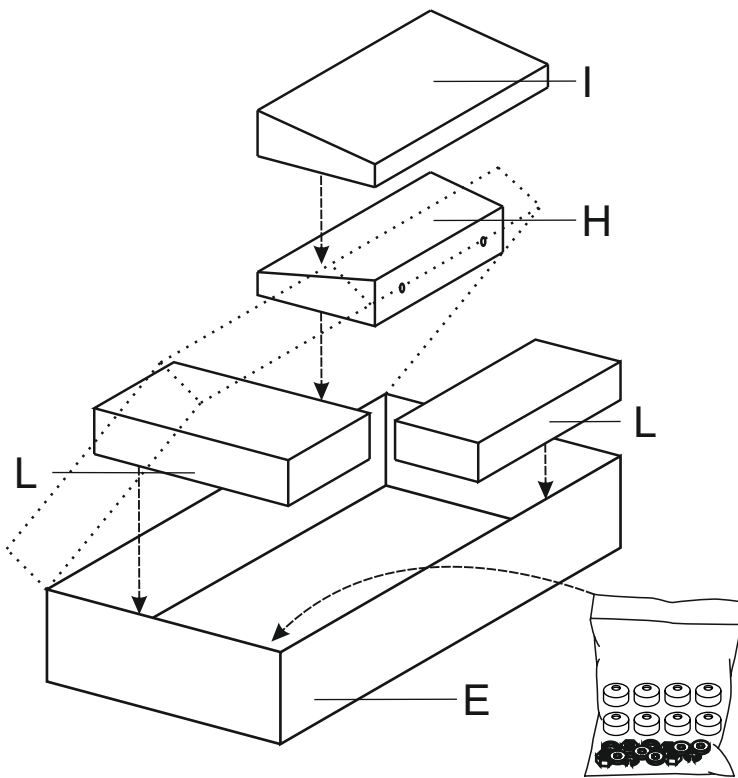
V X 2

W X 4



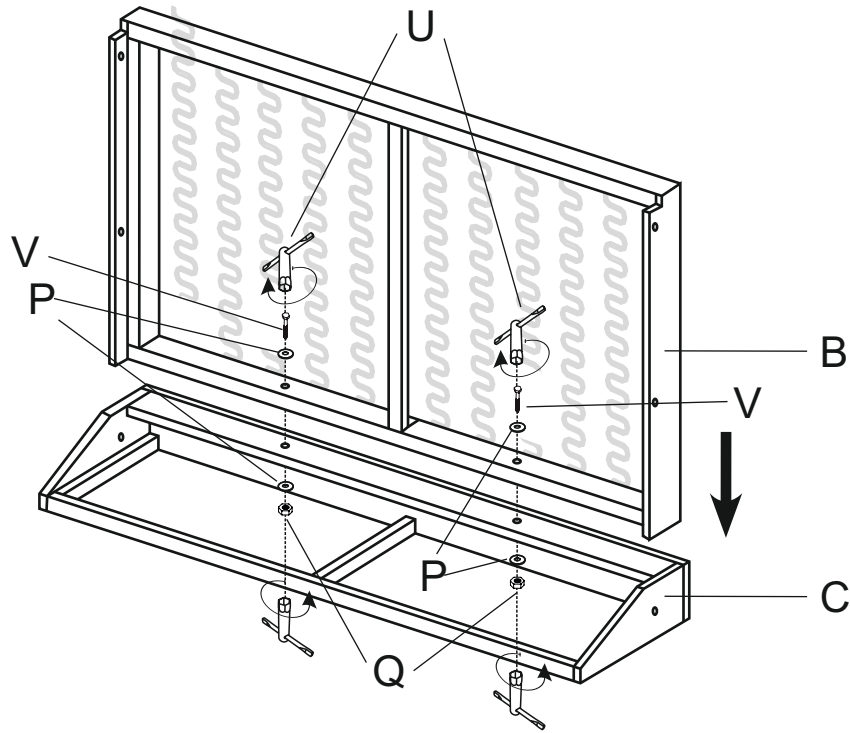
Oregon 2-seater + corner + 2-seater

1

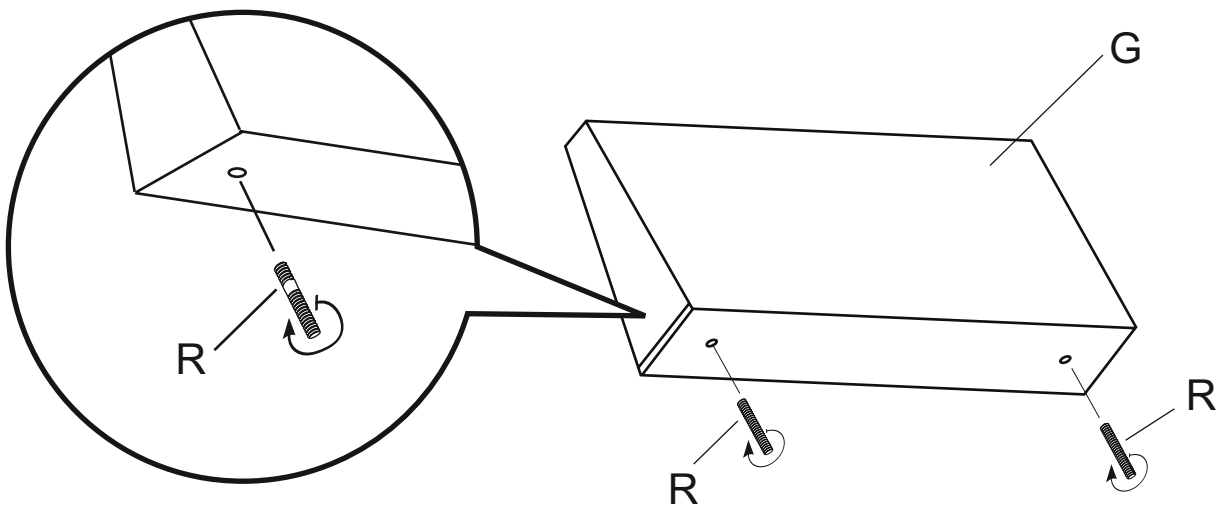


Oregon 2-seater + corner + 2-seater

2

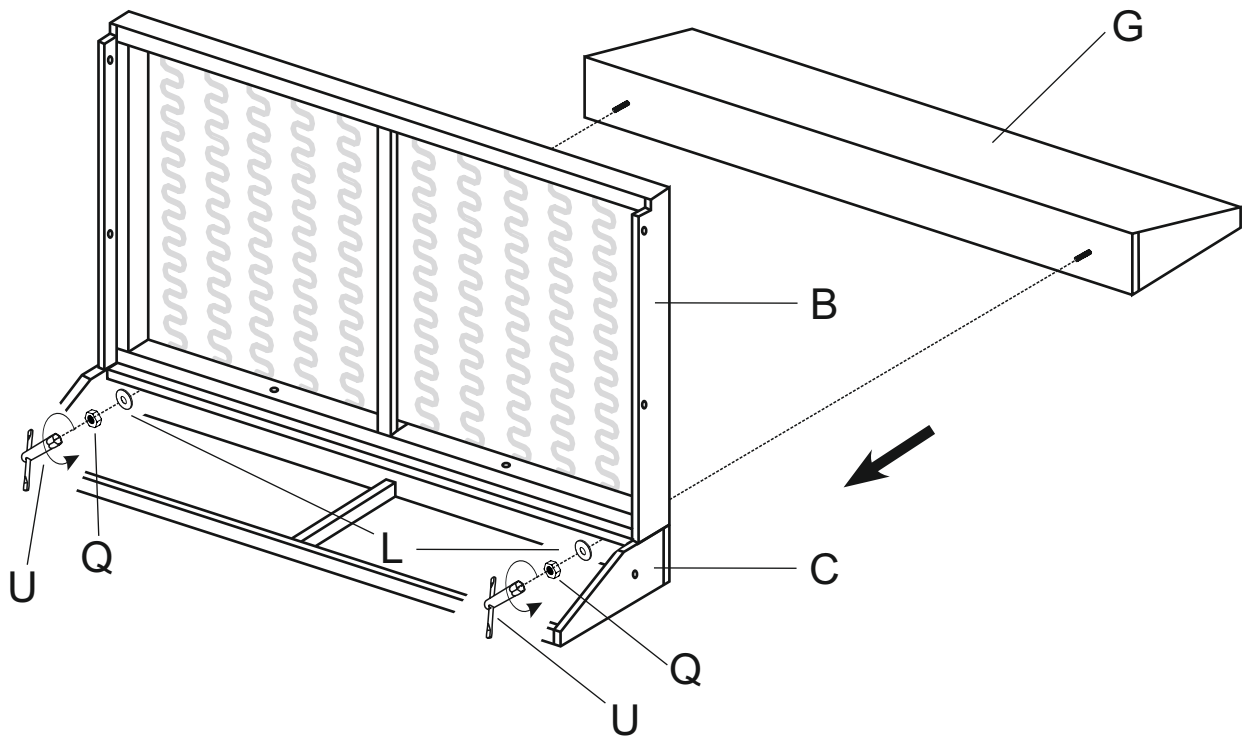


3

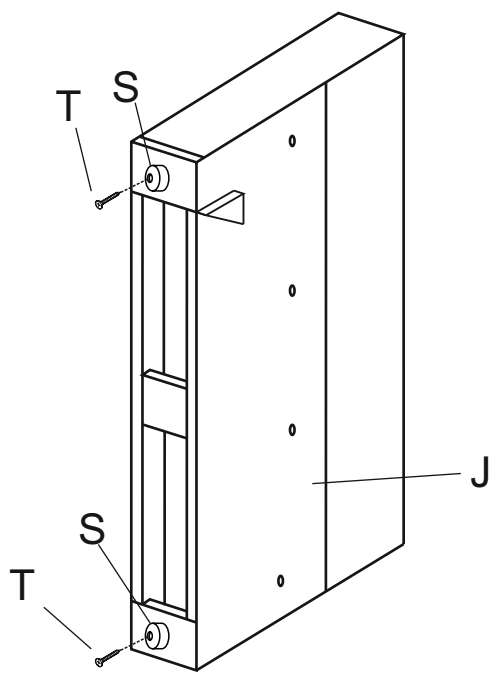


Oregon 2-seater + corner + 2-seater

4

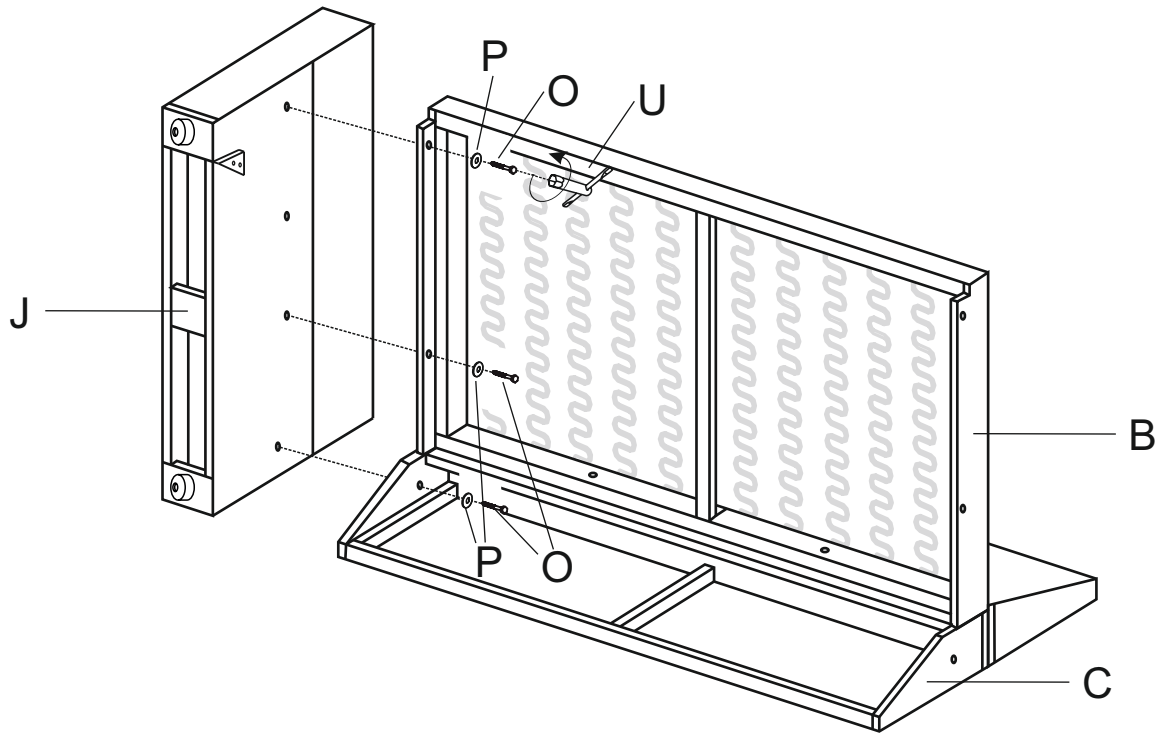


5

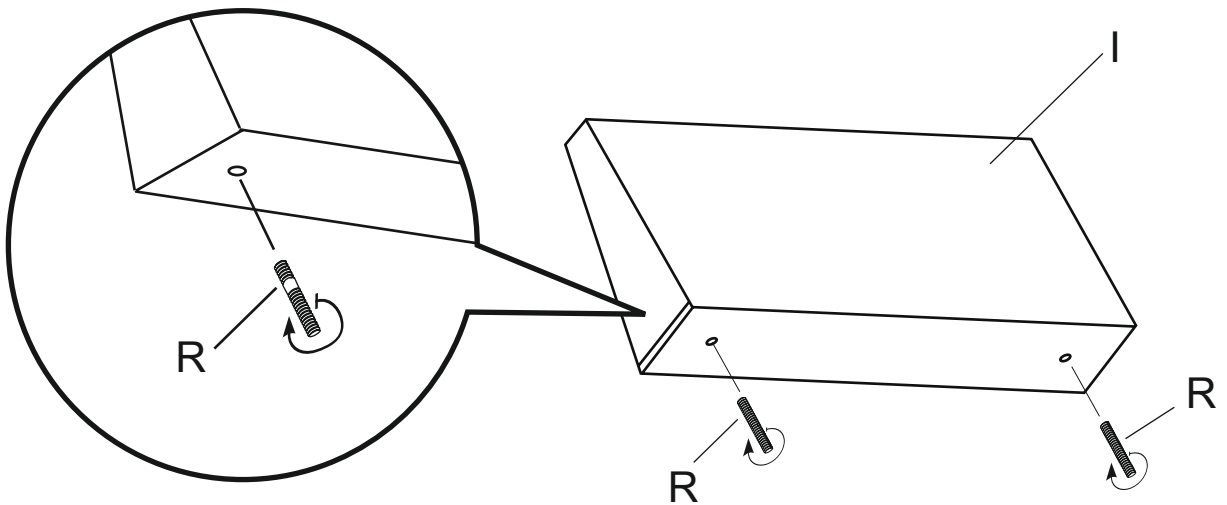


Oregon 2-seater + corner + 2-seater

6

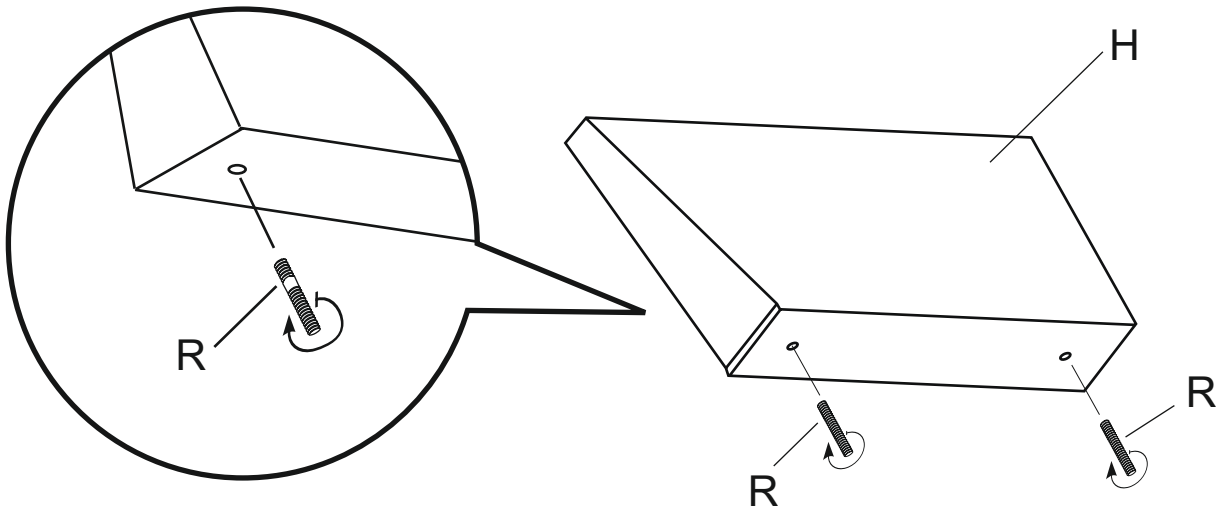


7

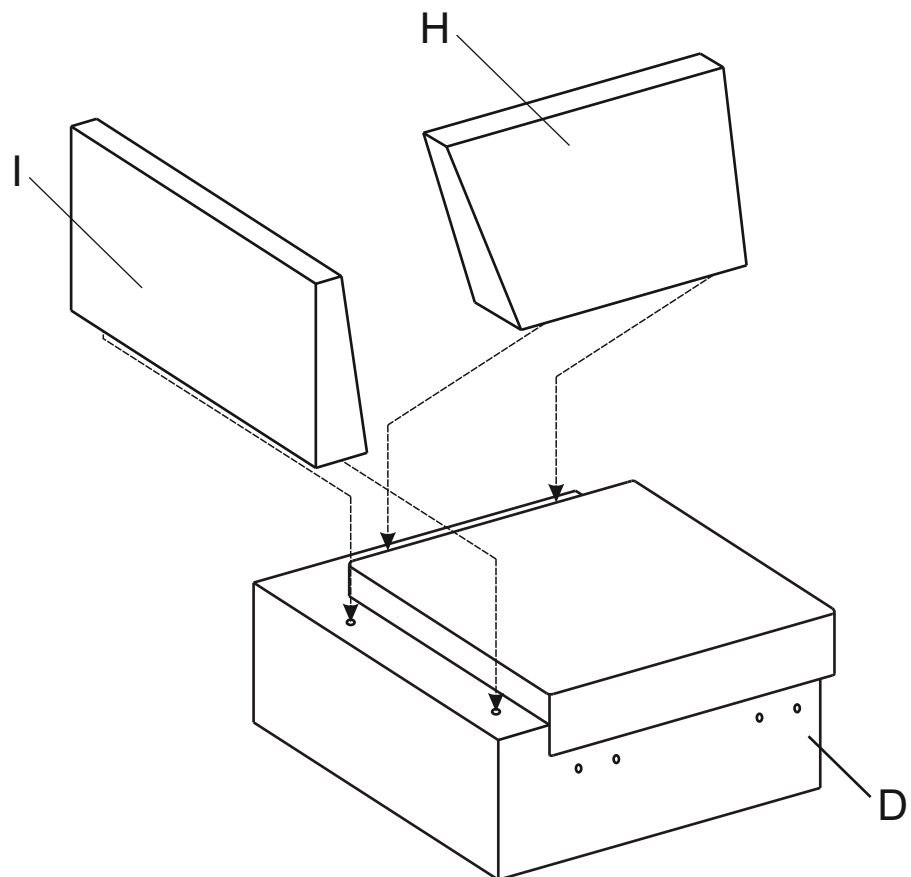


Oregon 2-seater + corner + 2-seater

7

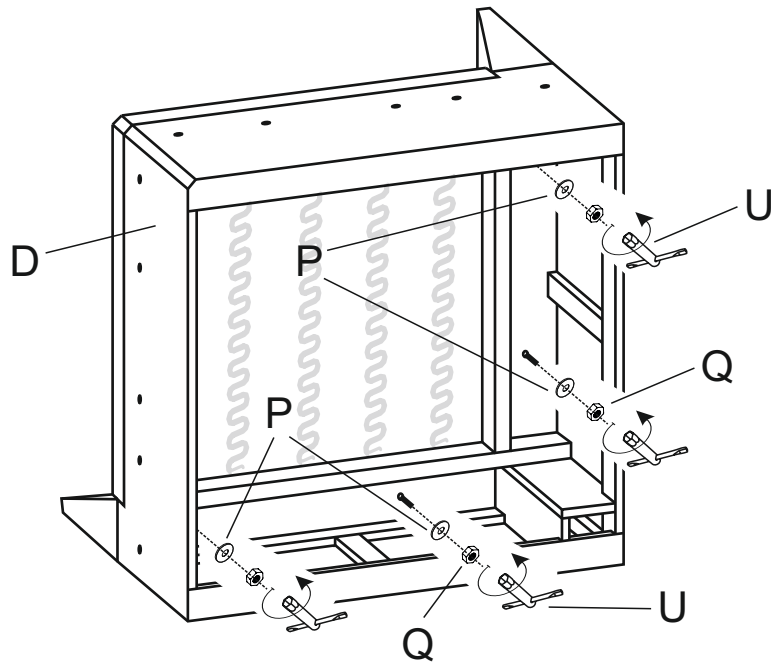


8

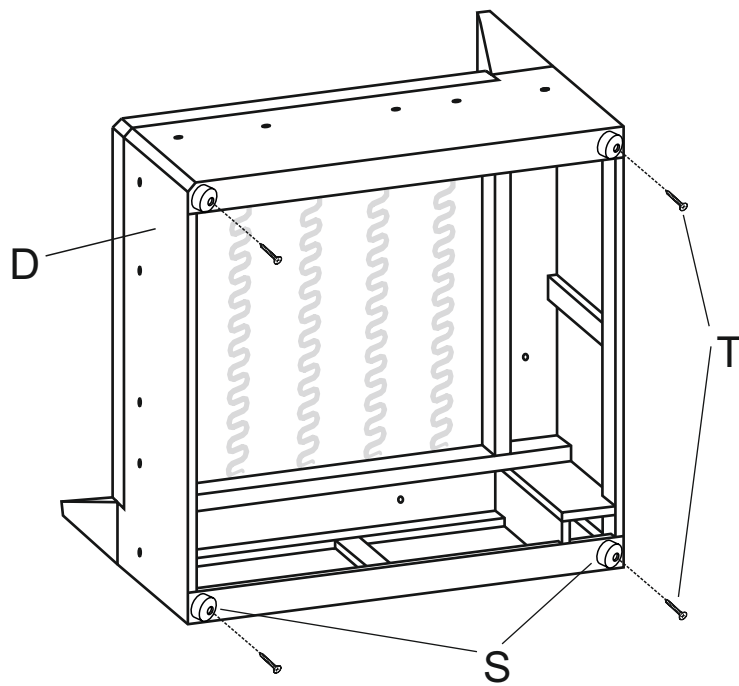


Oregon 2-seater + corner + 2-seater

9

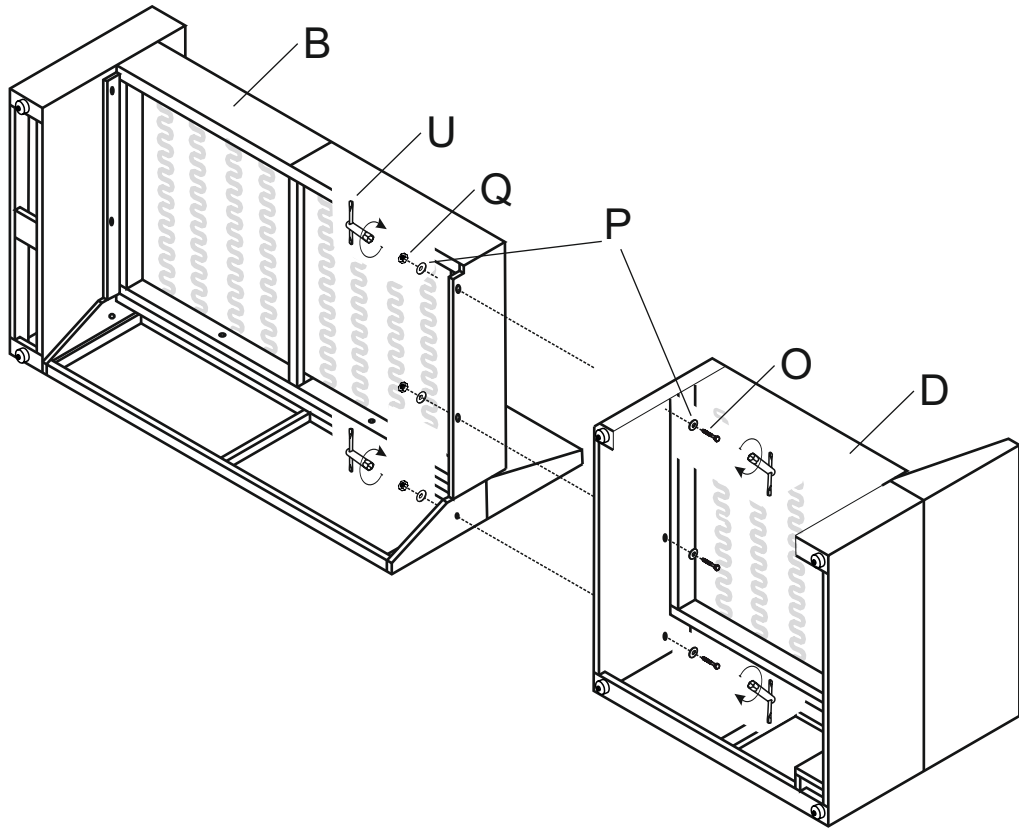


10

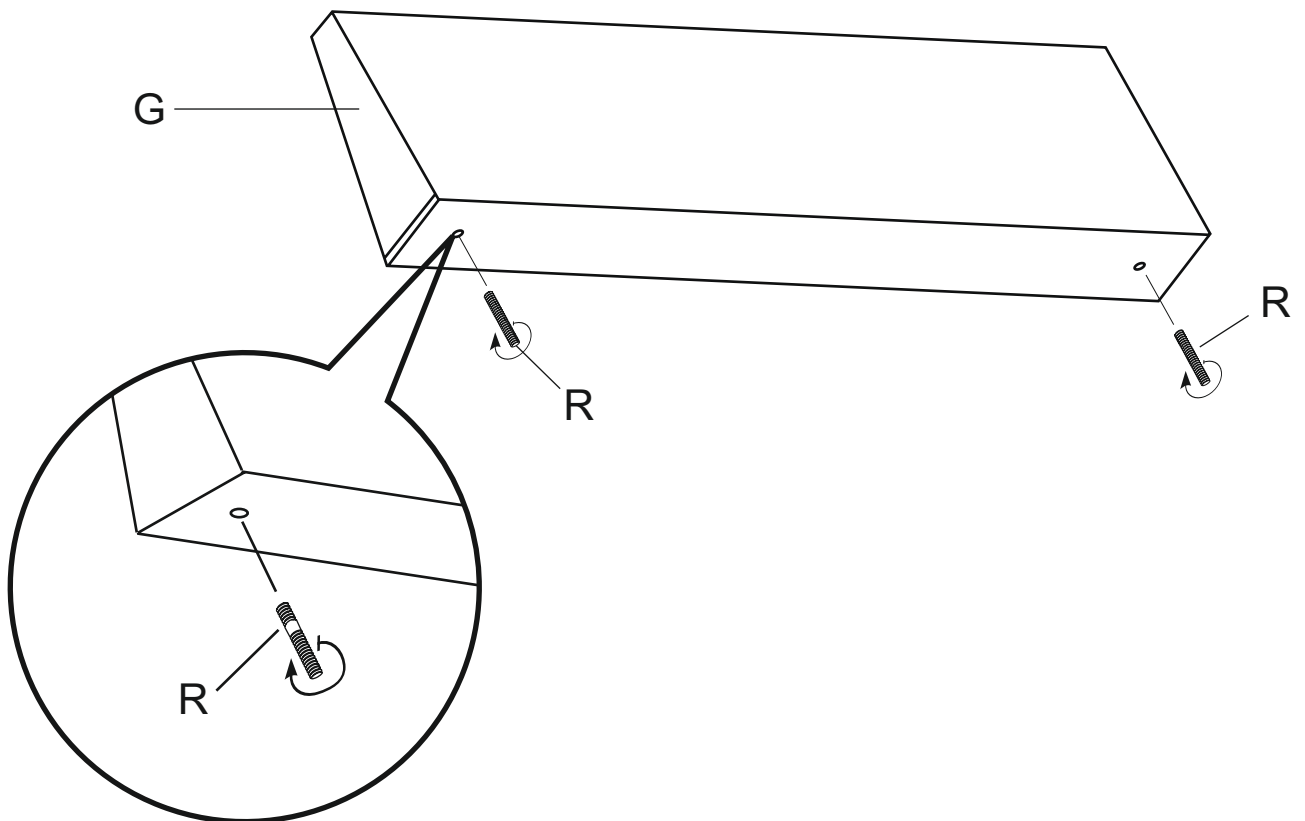


Oregon 2-seater + corner + 2-seater

11

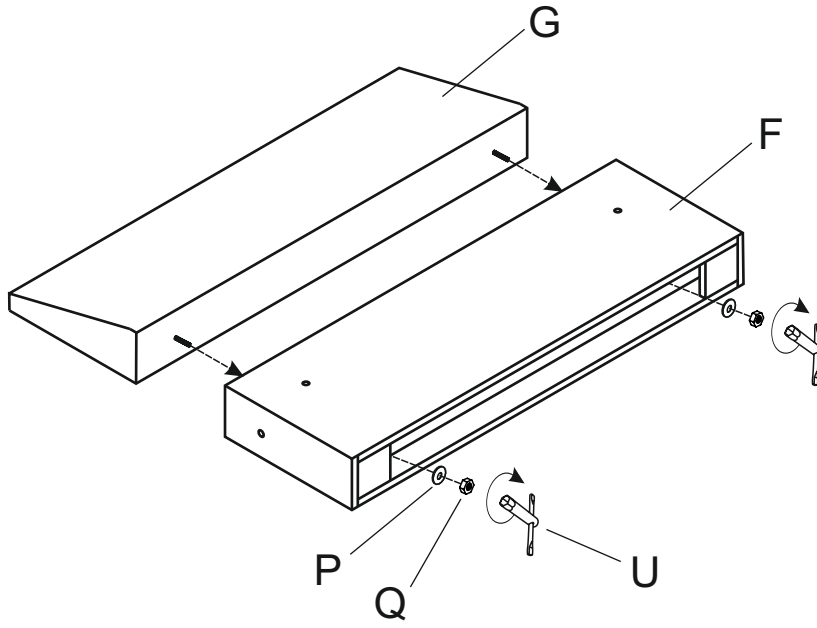


12

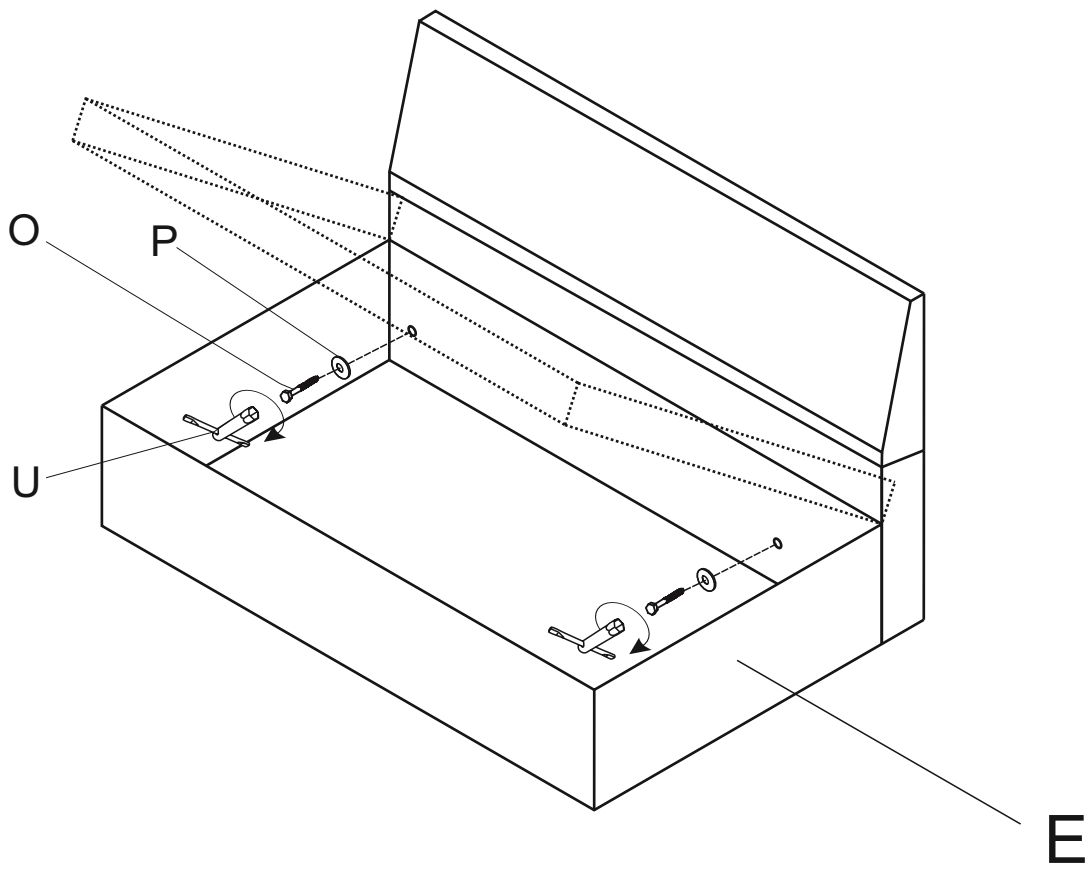


Oregon 2-seater + corner + 2-seater

13

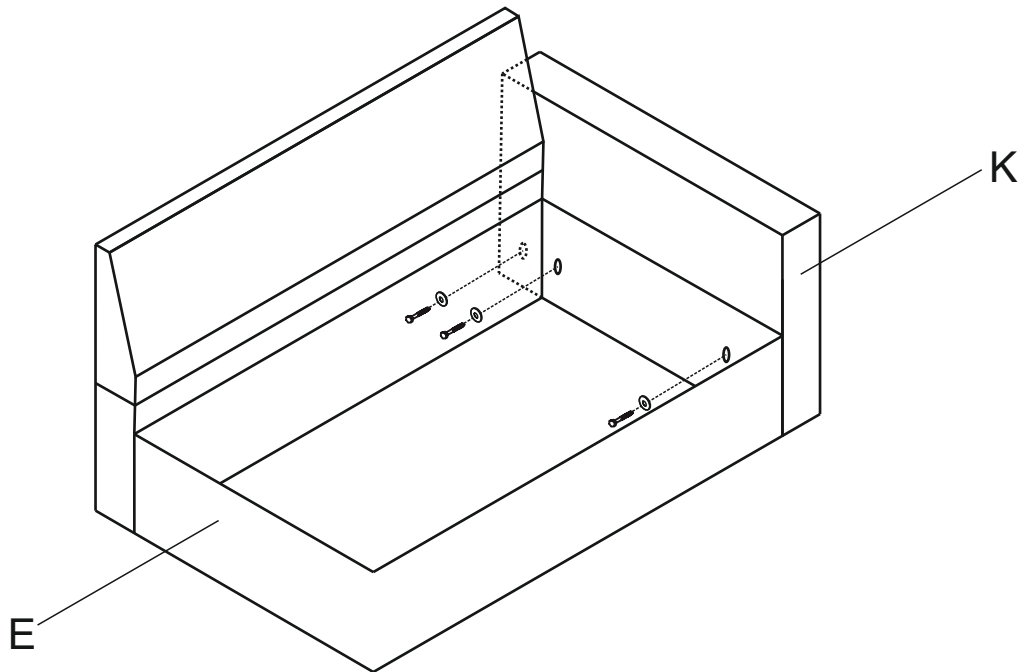


14

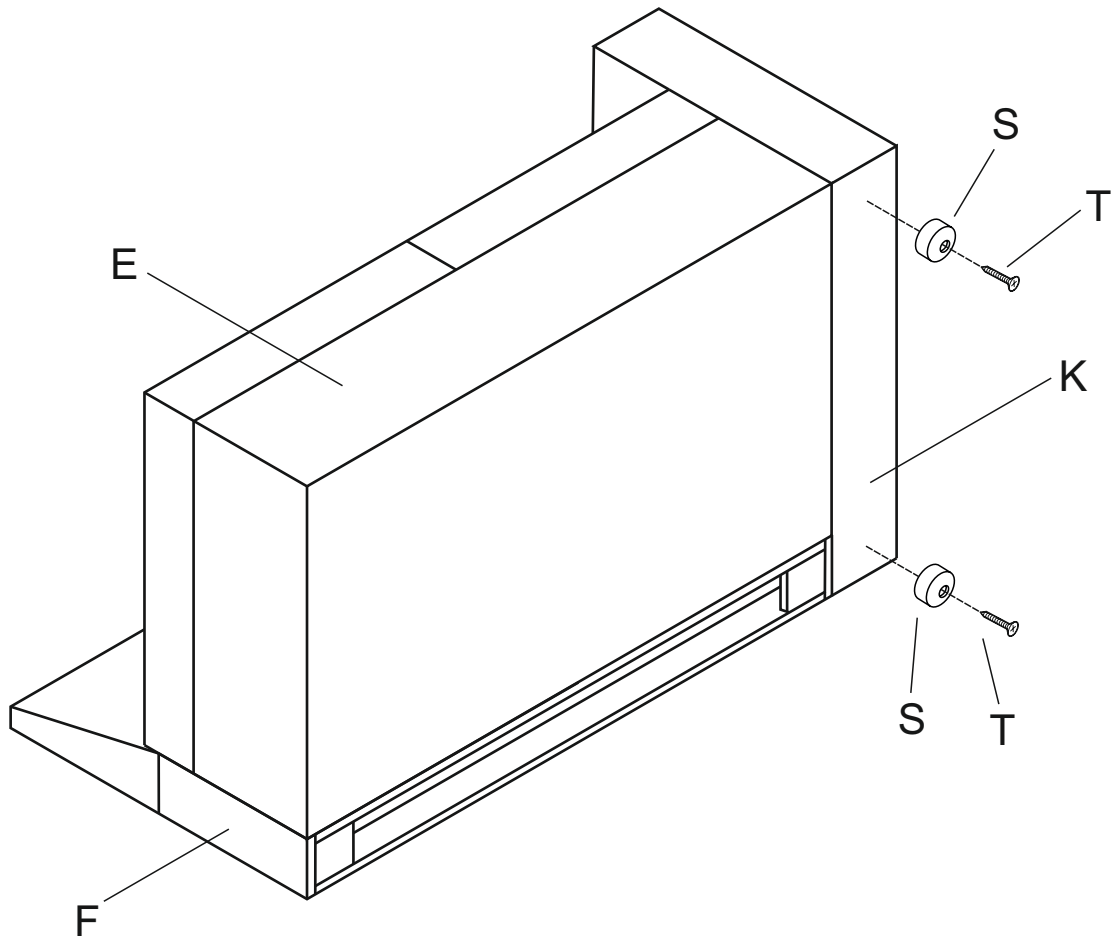


Oregon 2-seater + corner + 2-seater

15

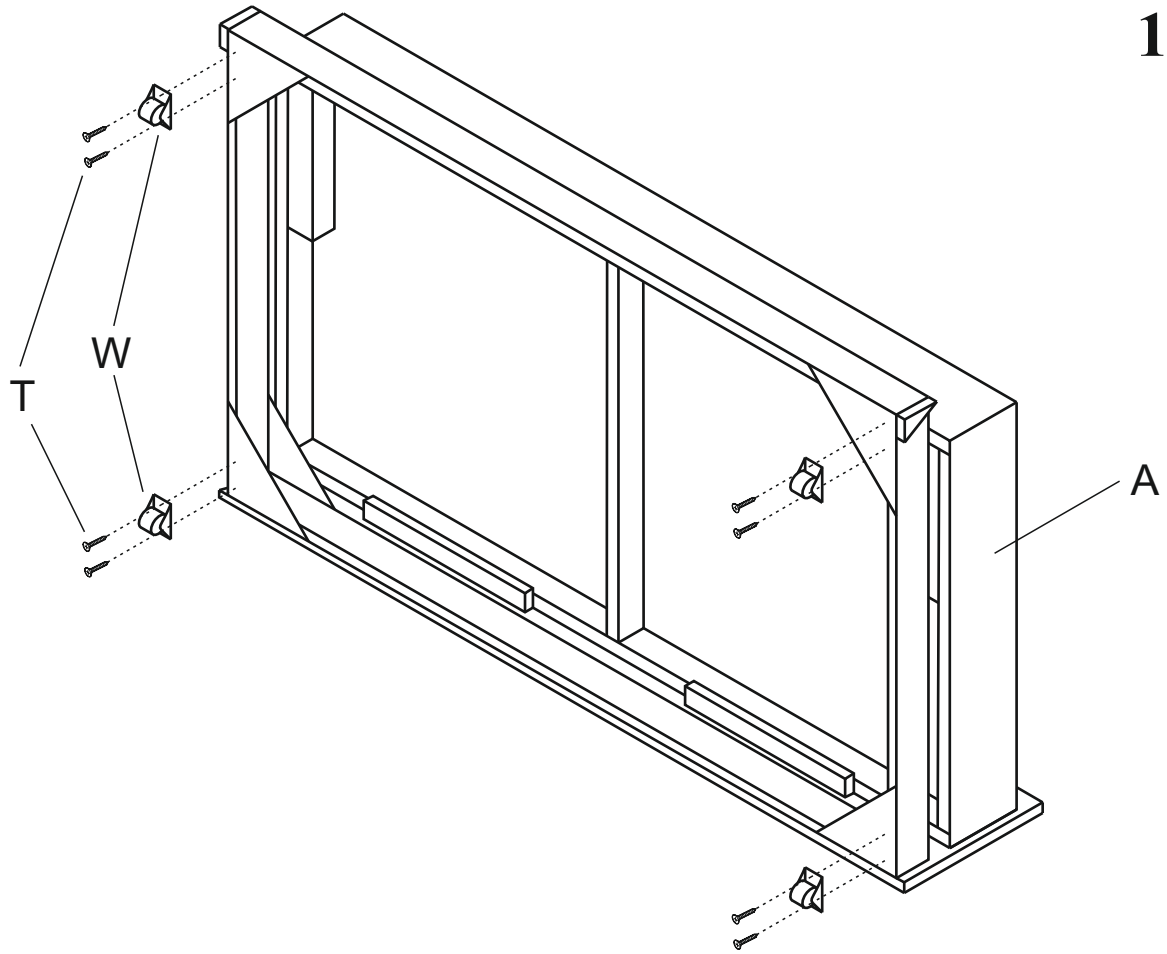


16

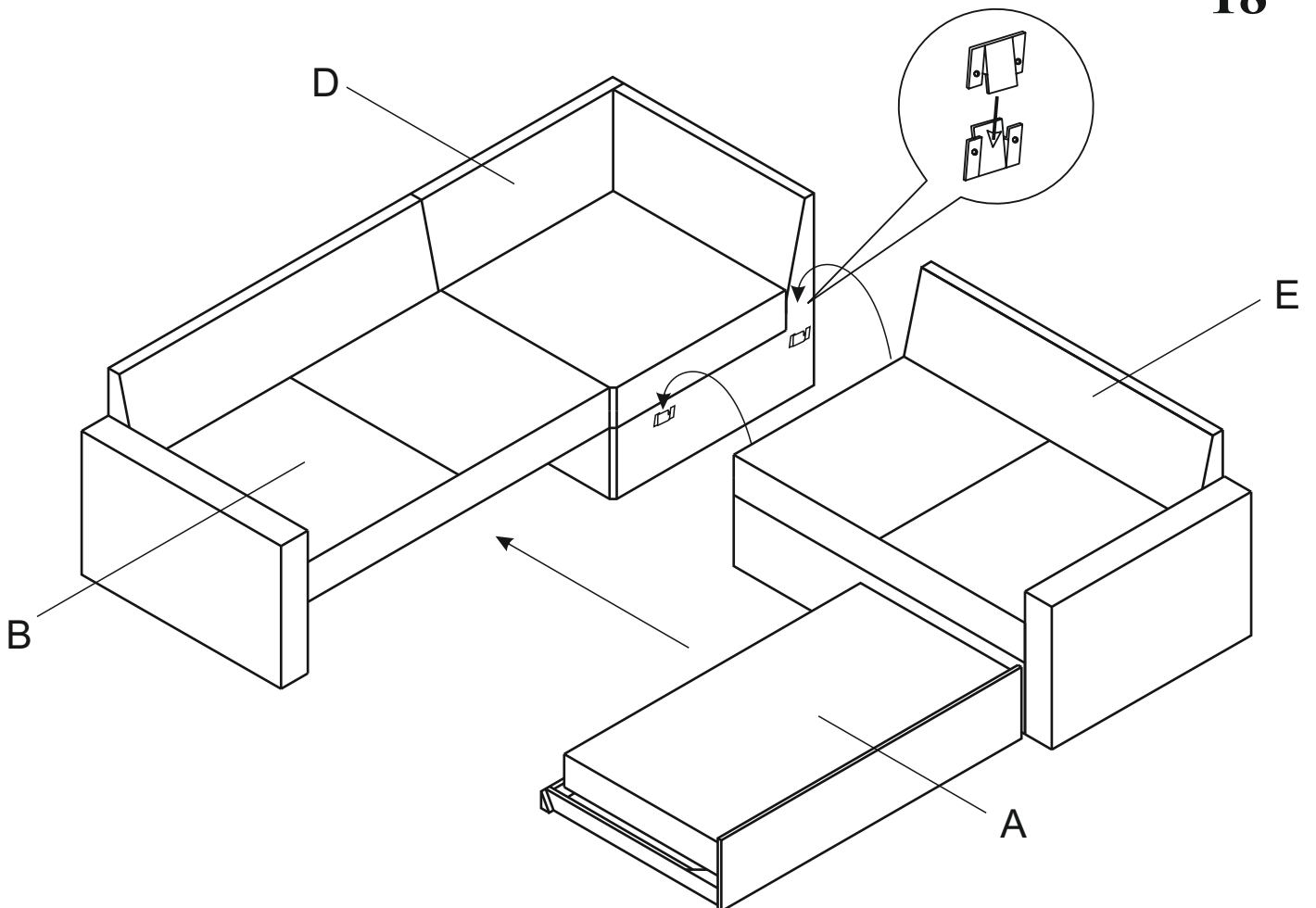


Oregon 2-seater + corner + 2-seater

17



18



Oregon 2-seater + corner + 2-seater

