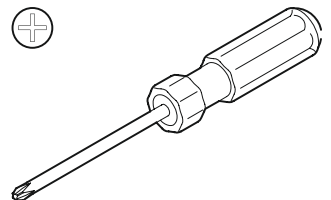
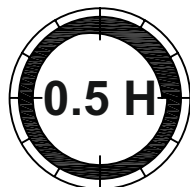
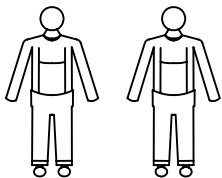
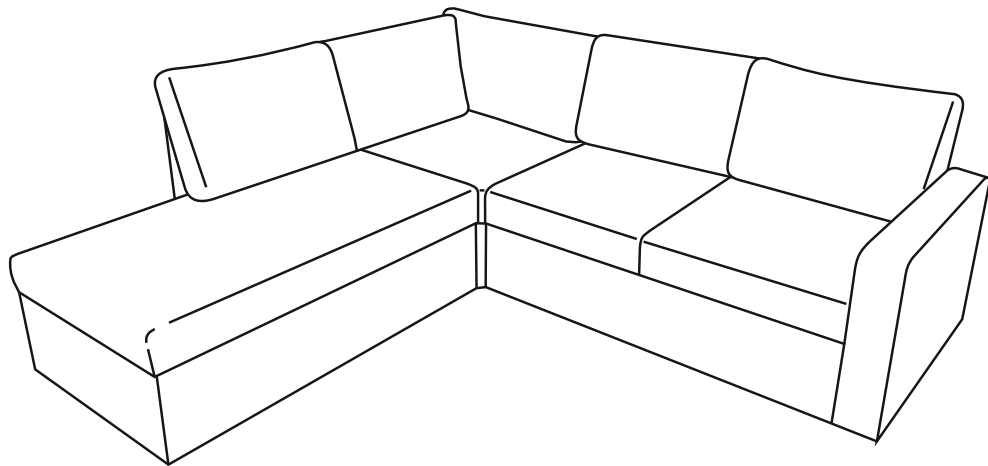
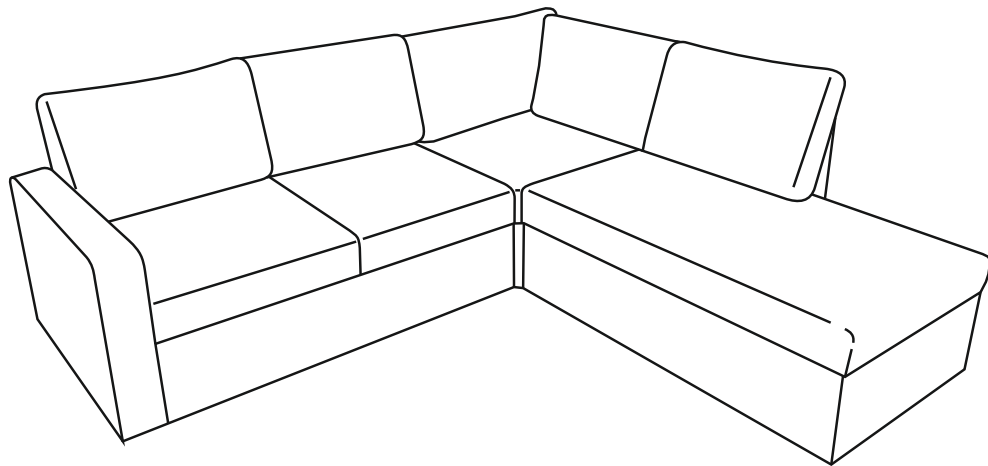
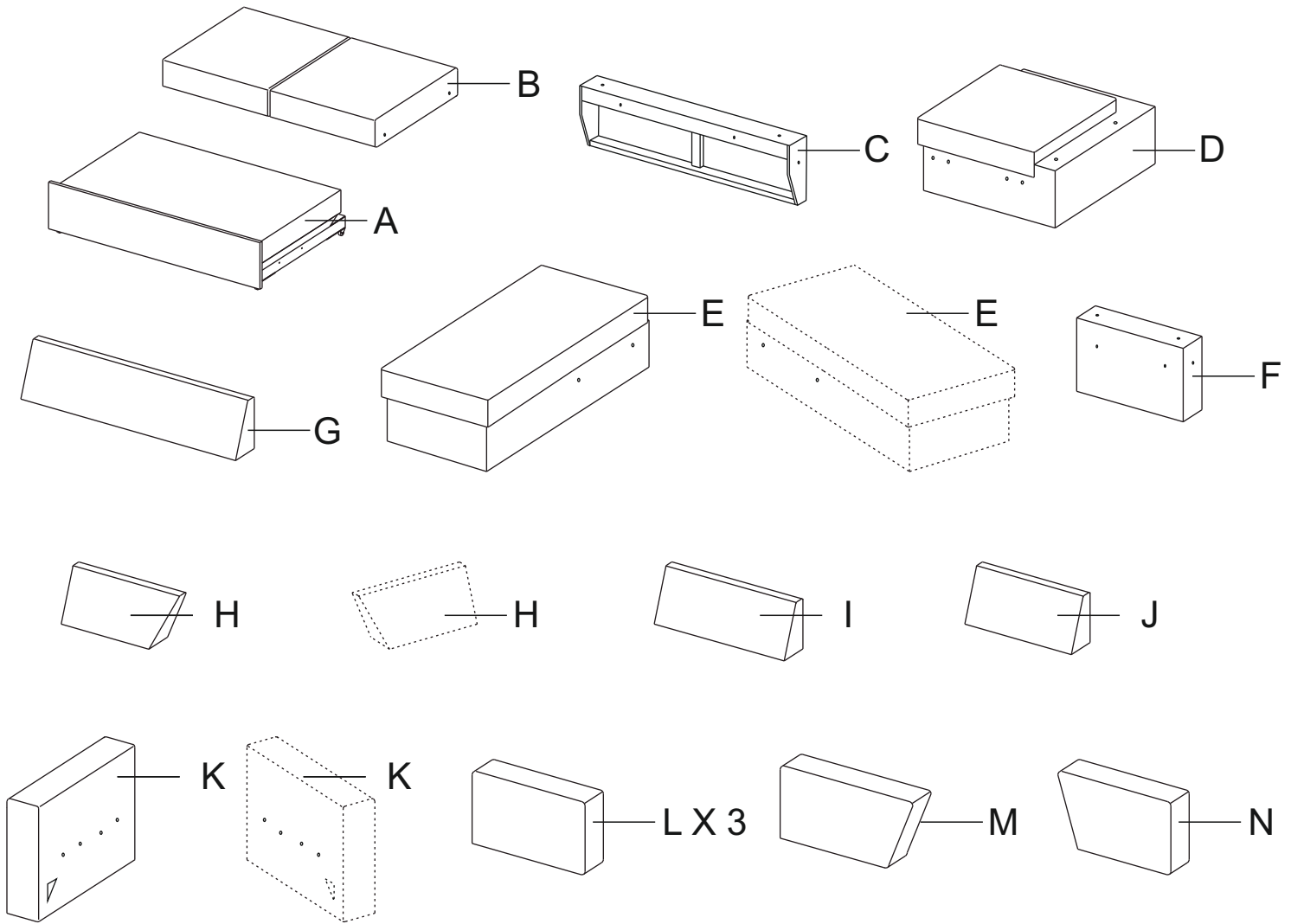

Oregon 2-seater + corner + rest



Oregon 2-seater + corner + rest



M8 X 50 mm

O X 8



Ø8 X Ø24 mm

P X 25



Ø8 X Ø13 mm

Q X 15



M8 X 47 mm

R X 8



Ø45 X 35 mm

S X 11

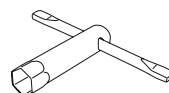


32 mm

T X 11



U X 2

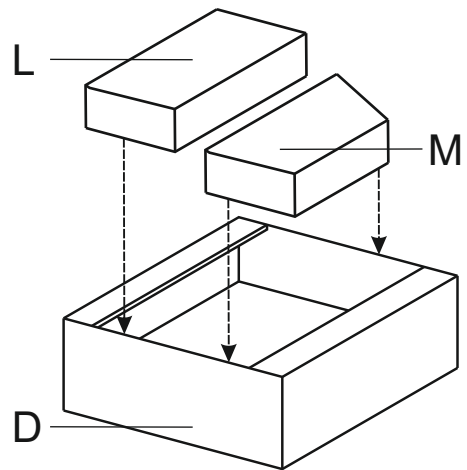
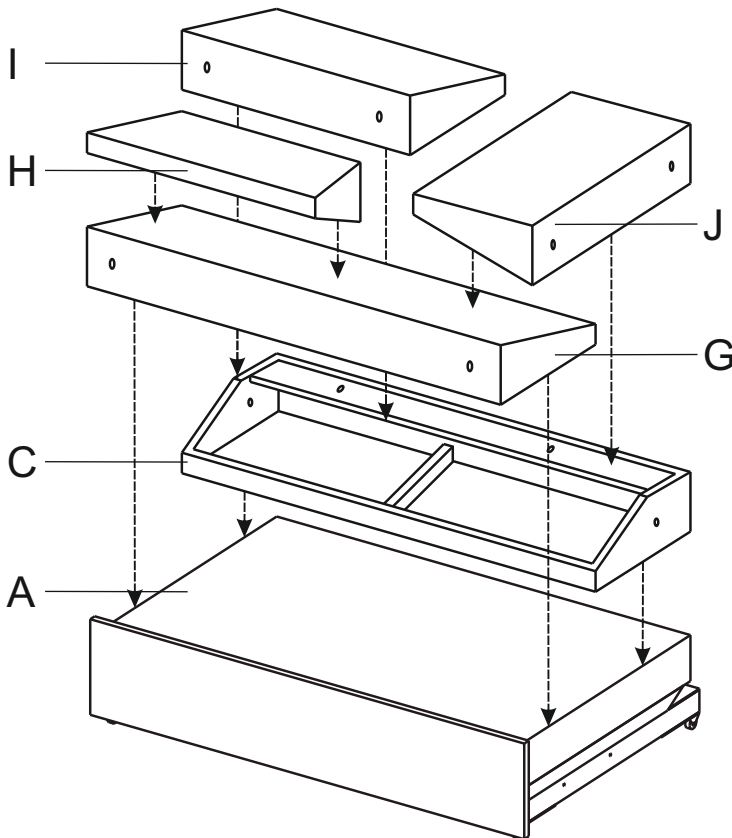
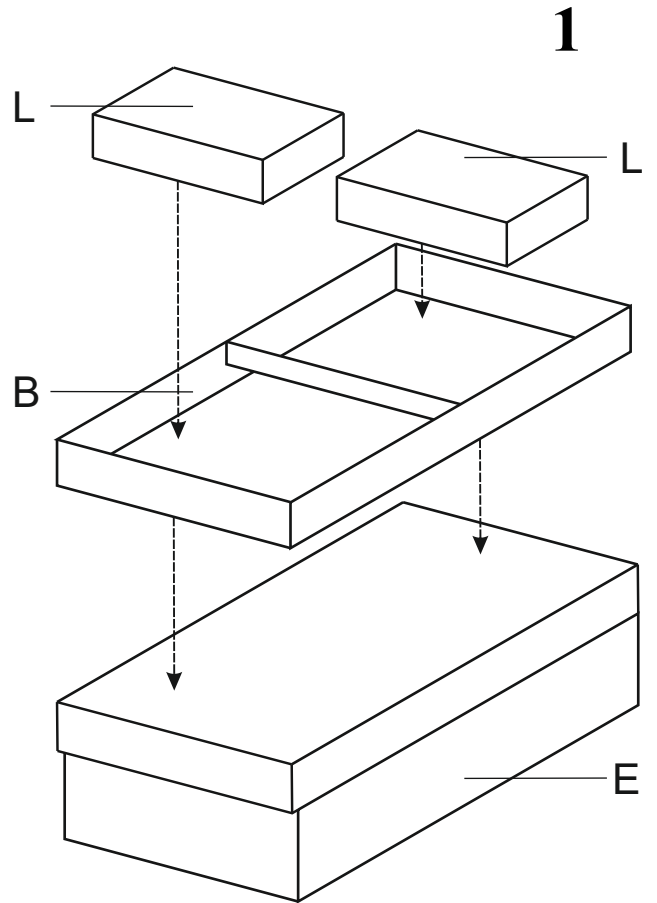
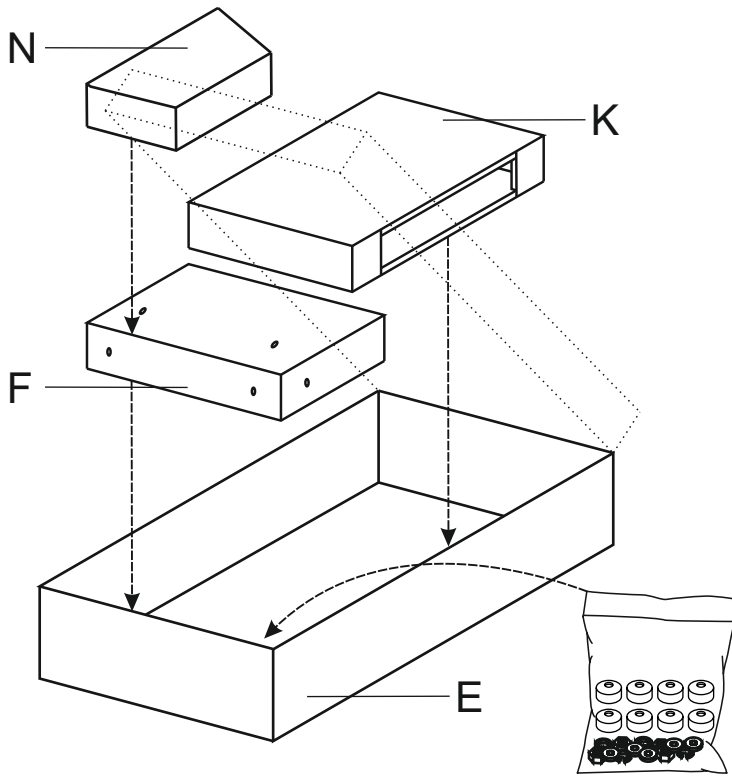


M8 X 70 mm

V X 2

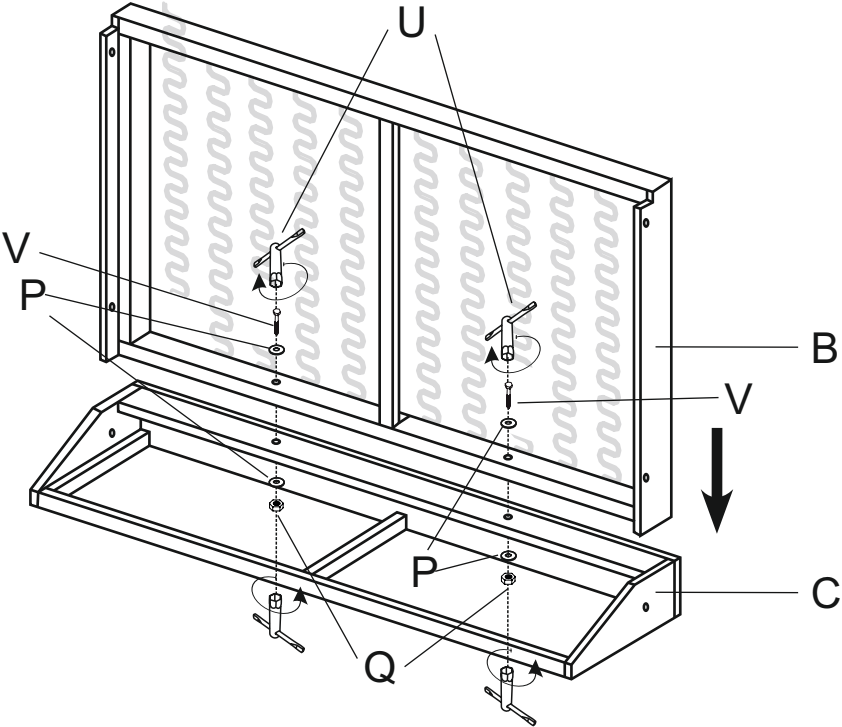


Oregon 2-seater + corner + rest

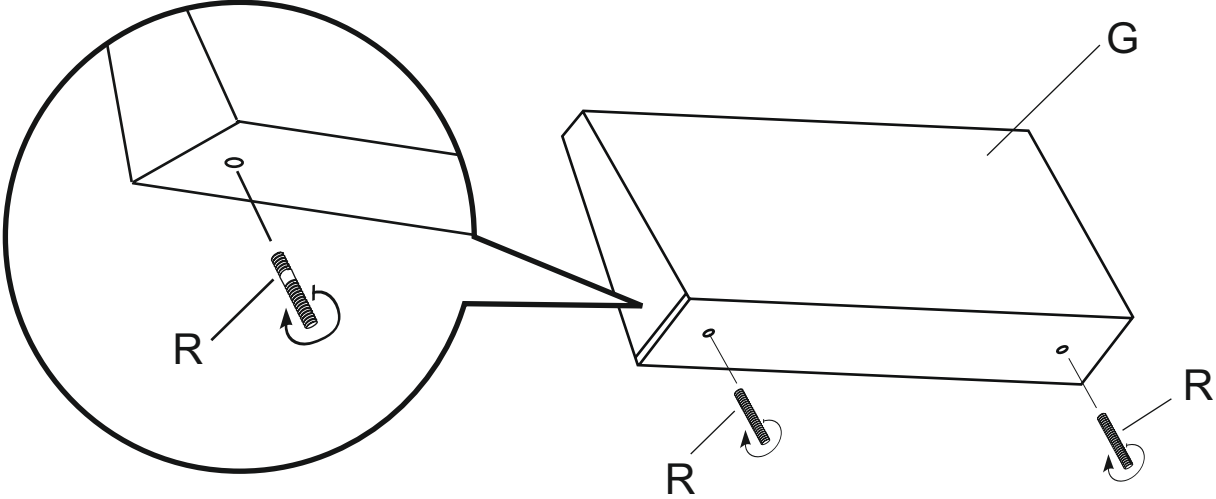


Oregon 2-seater + corner + rest

2

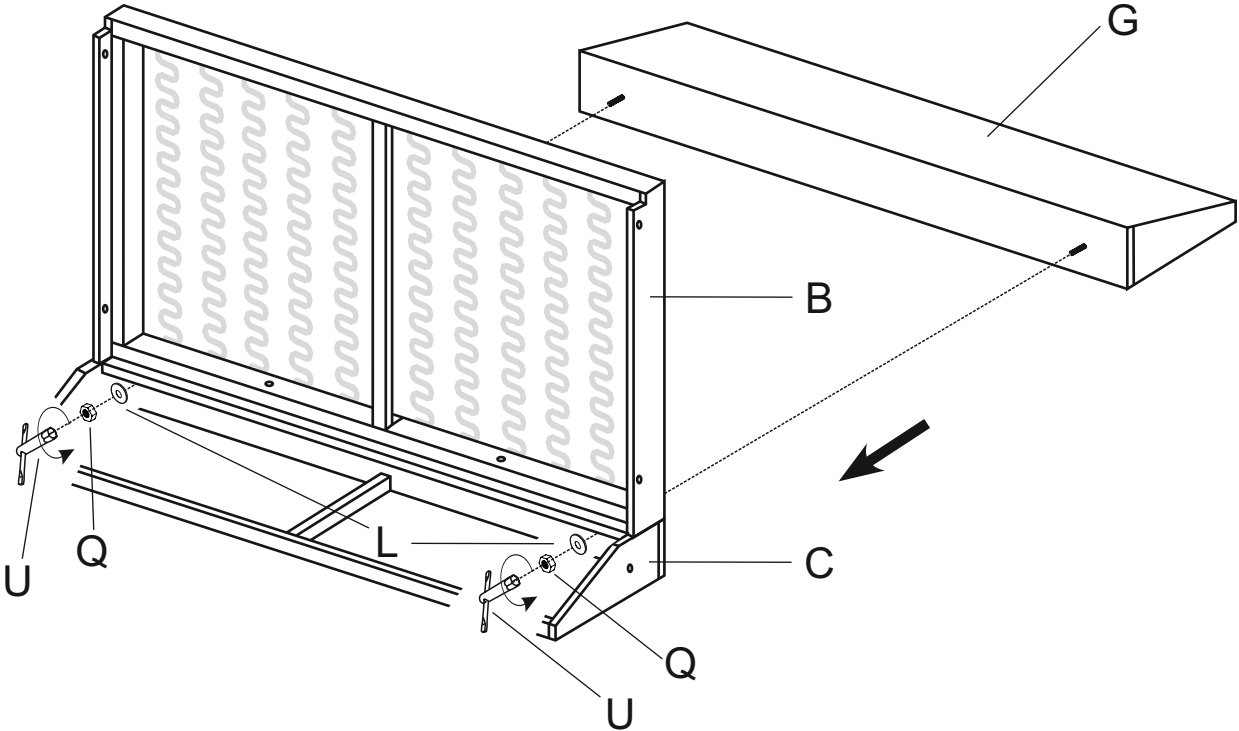


3

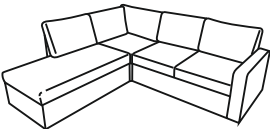
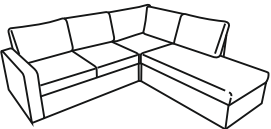
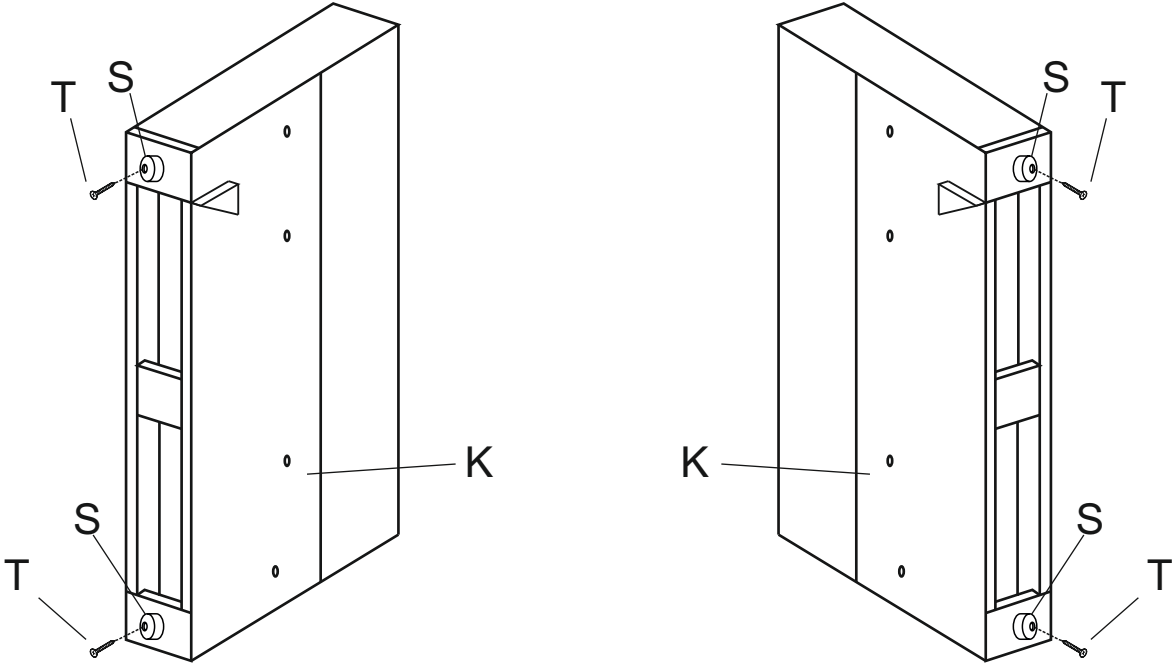


Oregon 2-seater + corner + rest

4

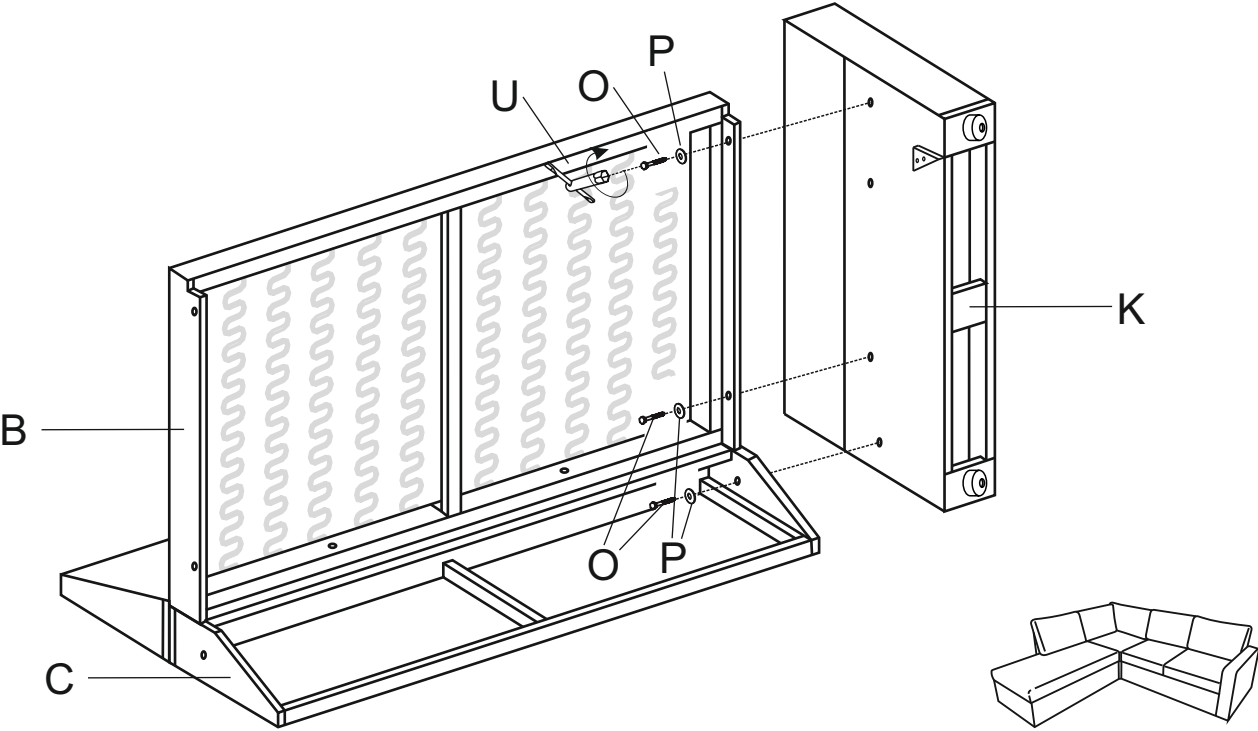
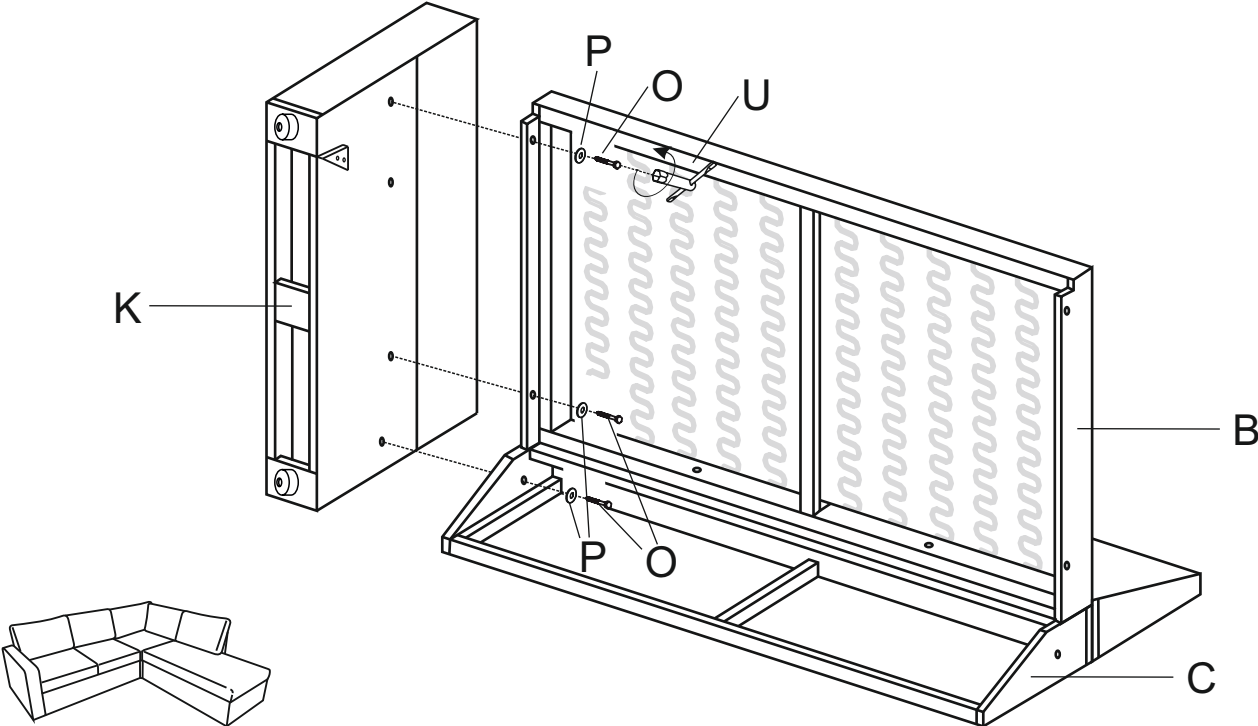


5



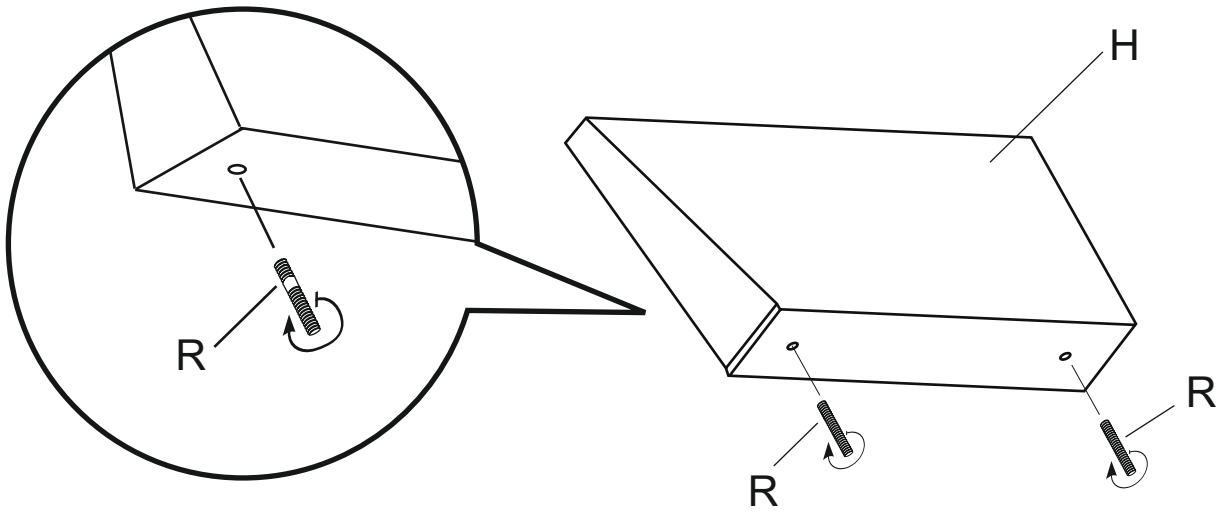
Oregon 2-seater + corner + rest

6

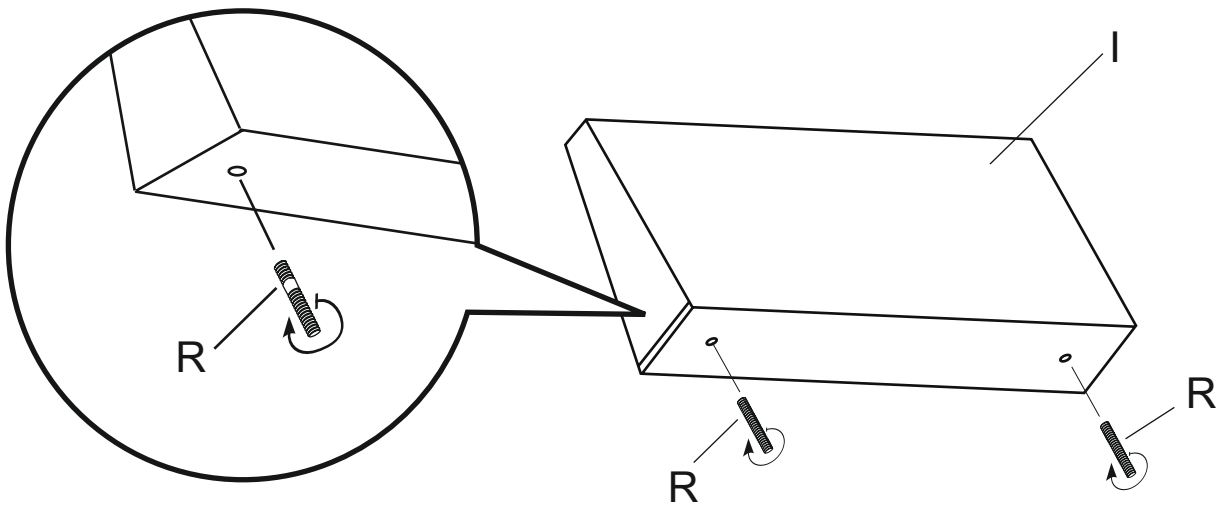


Oregon 2-seater + corner + rest

7

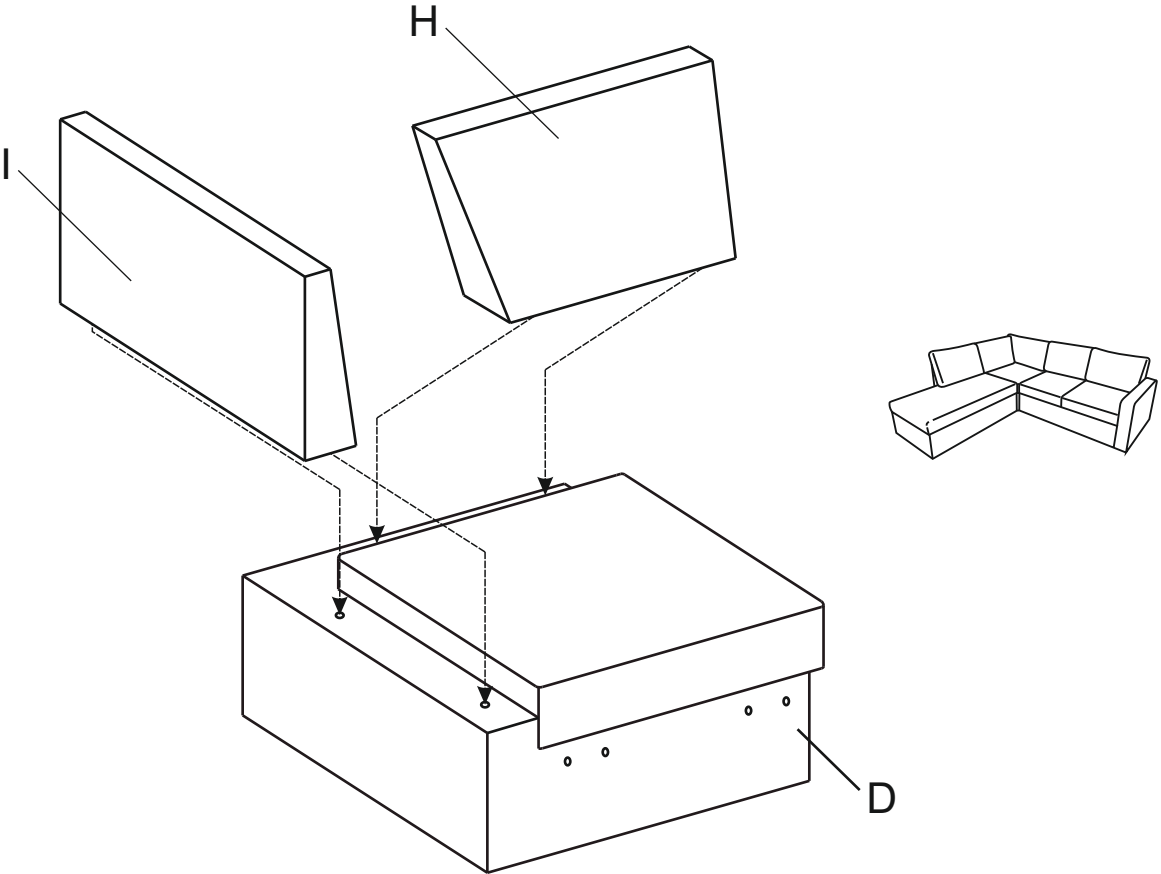
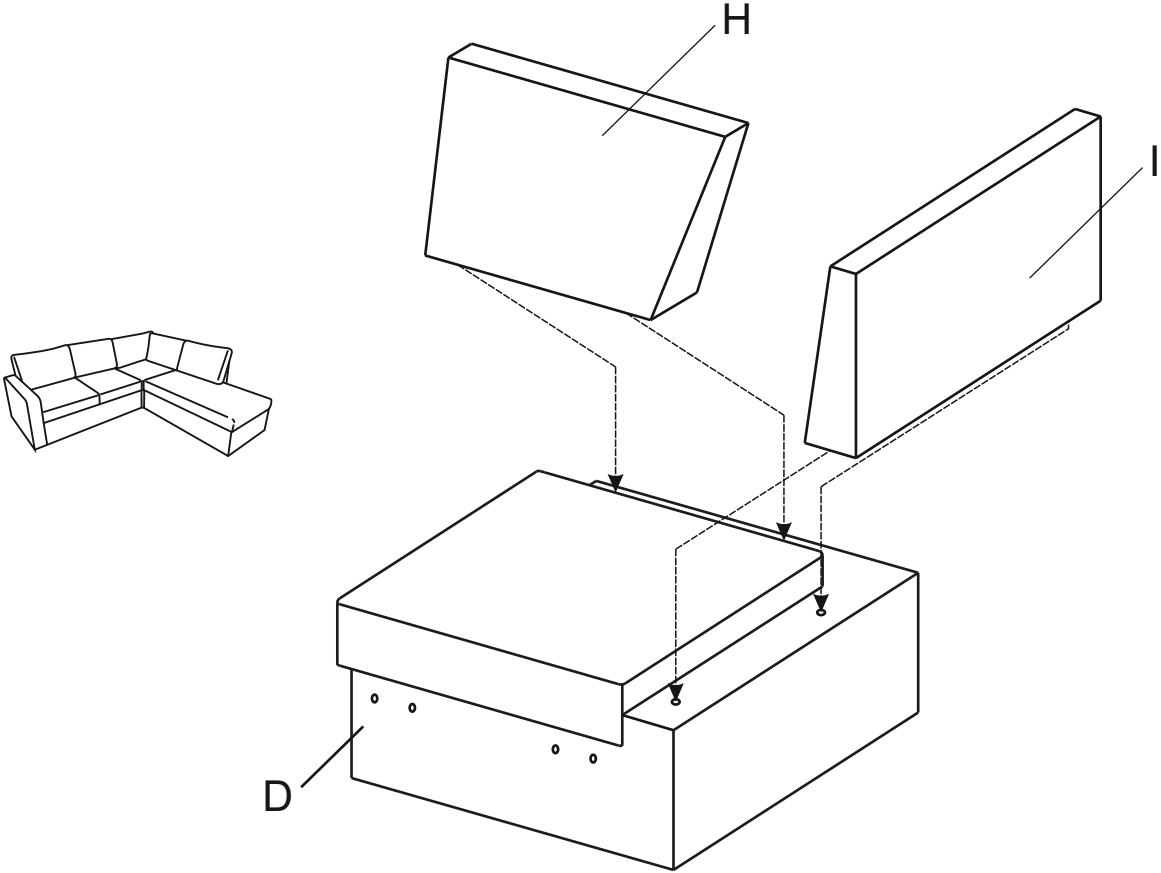


8



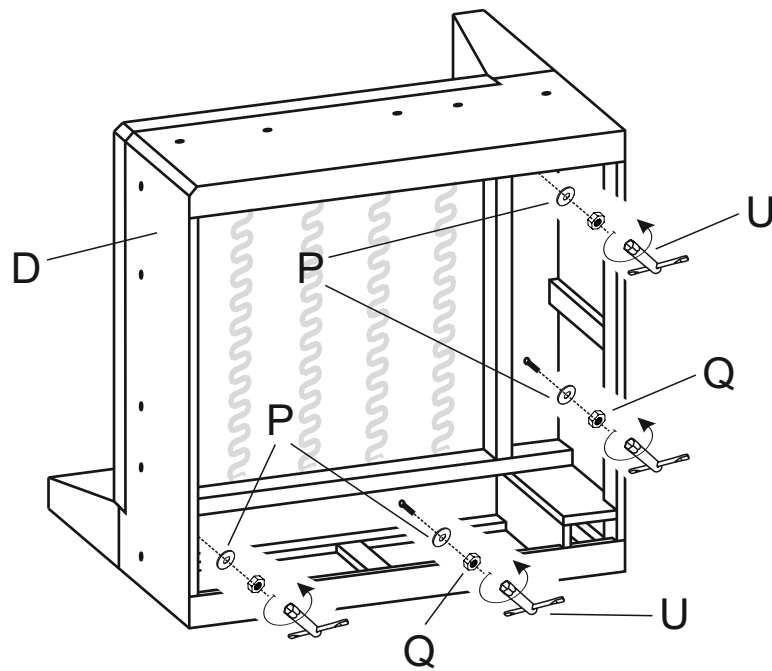
Oregon 2-seater + corner + rest

9

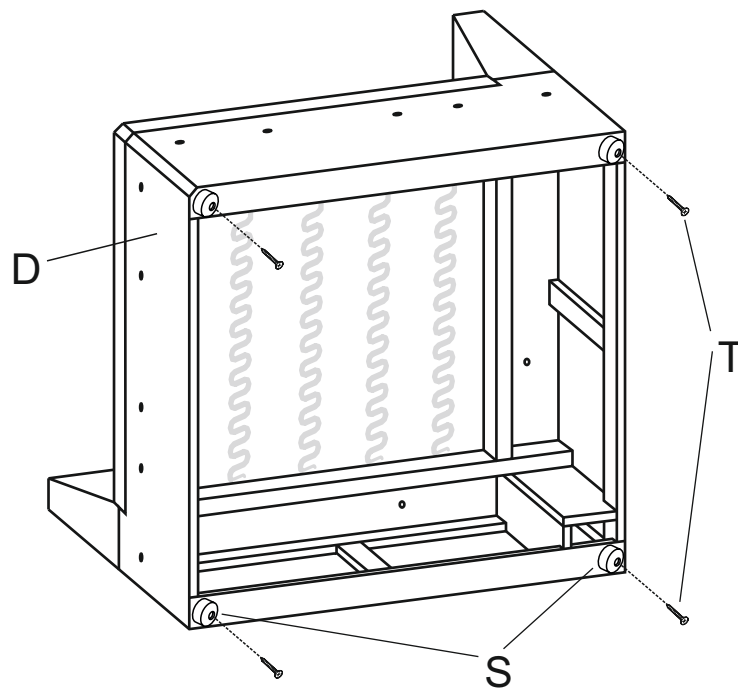


Oregon 2-seater + corner + rest

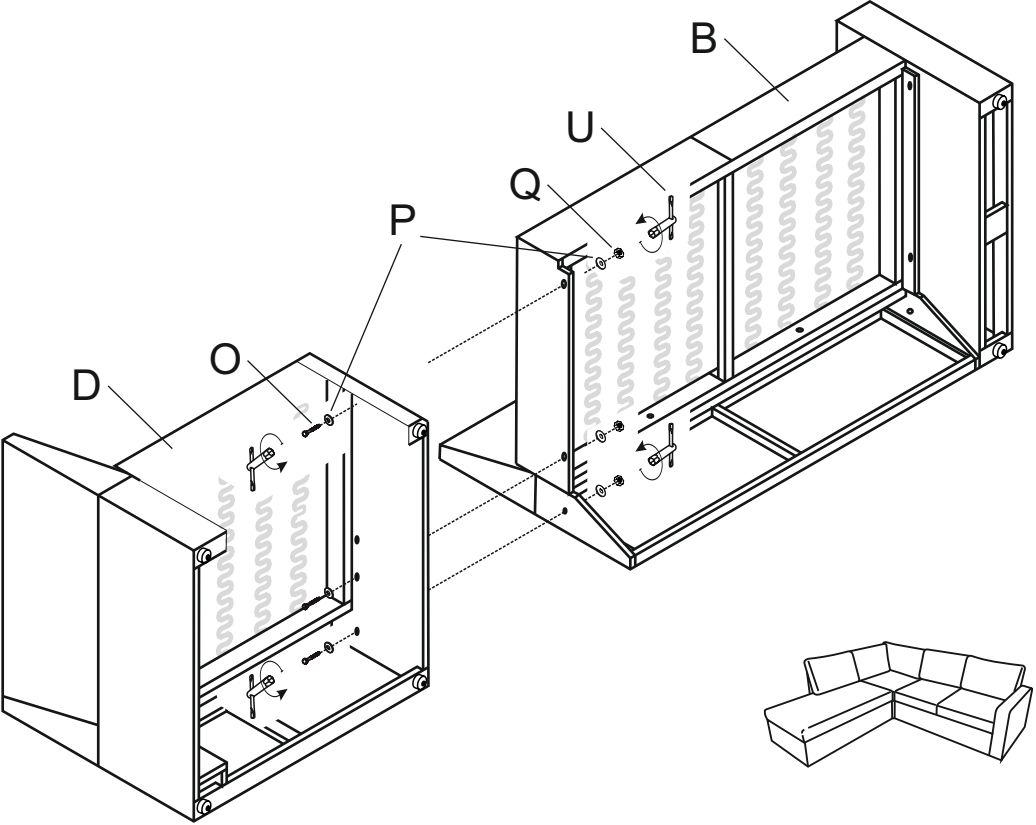
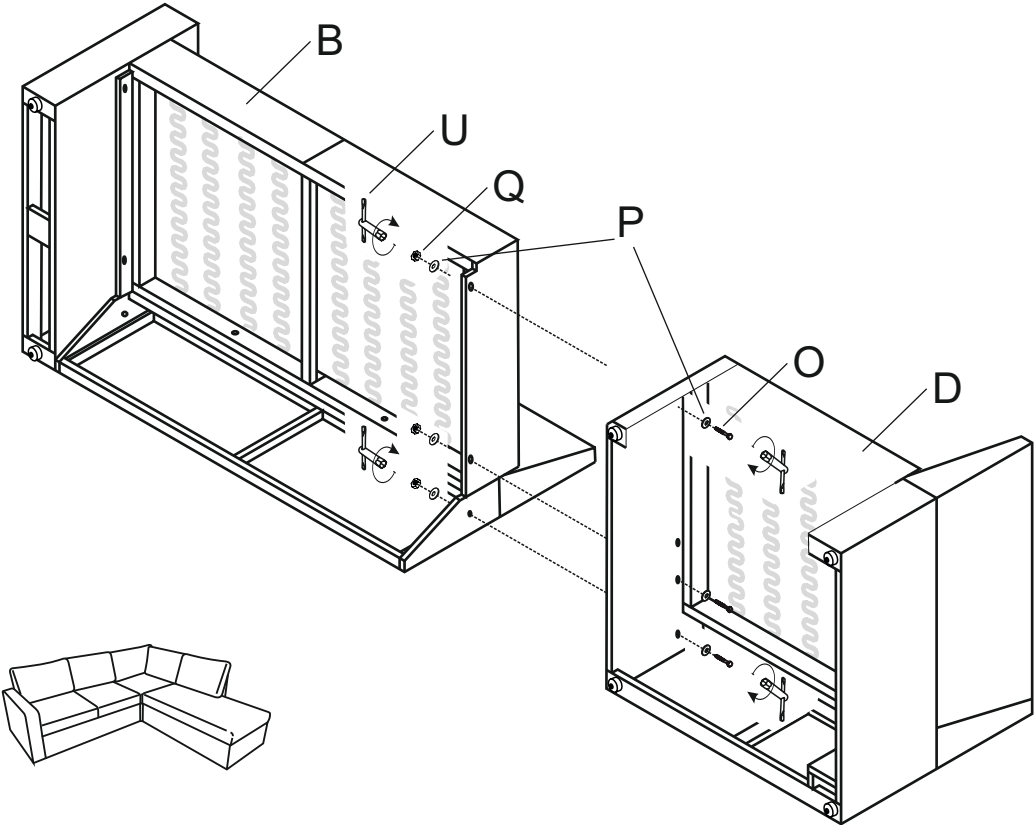
10



11

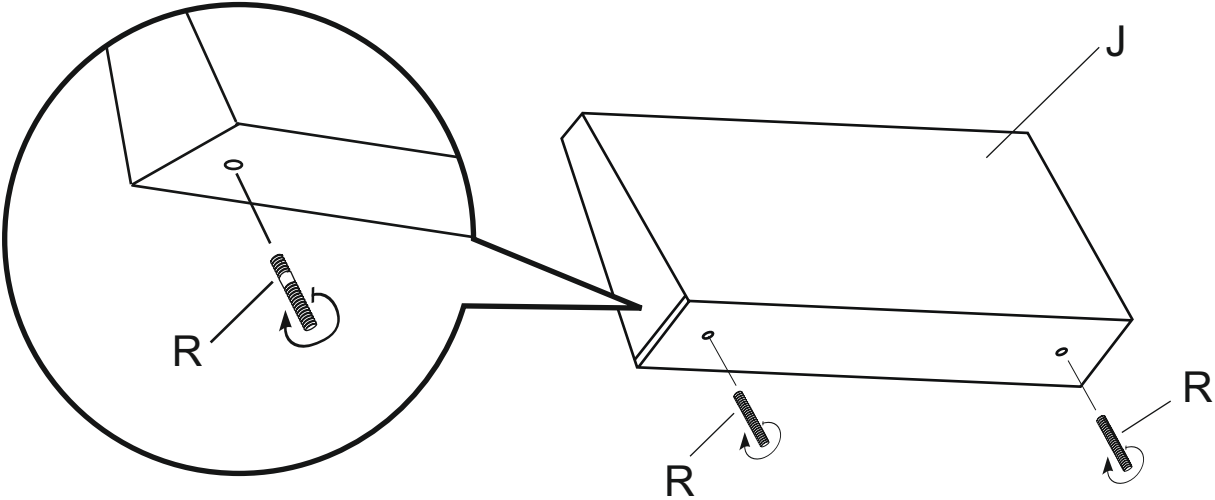


Oregon 2-seater + corner + rest

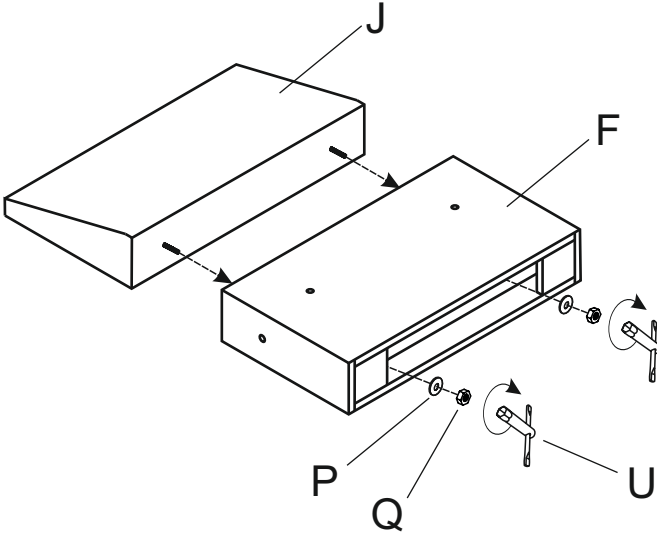


Oregon 2-seater + corner + rest

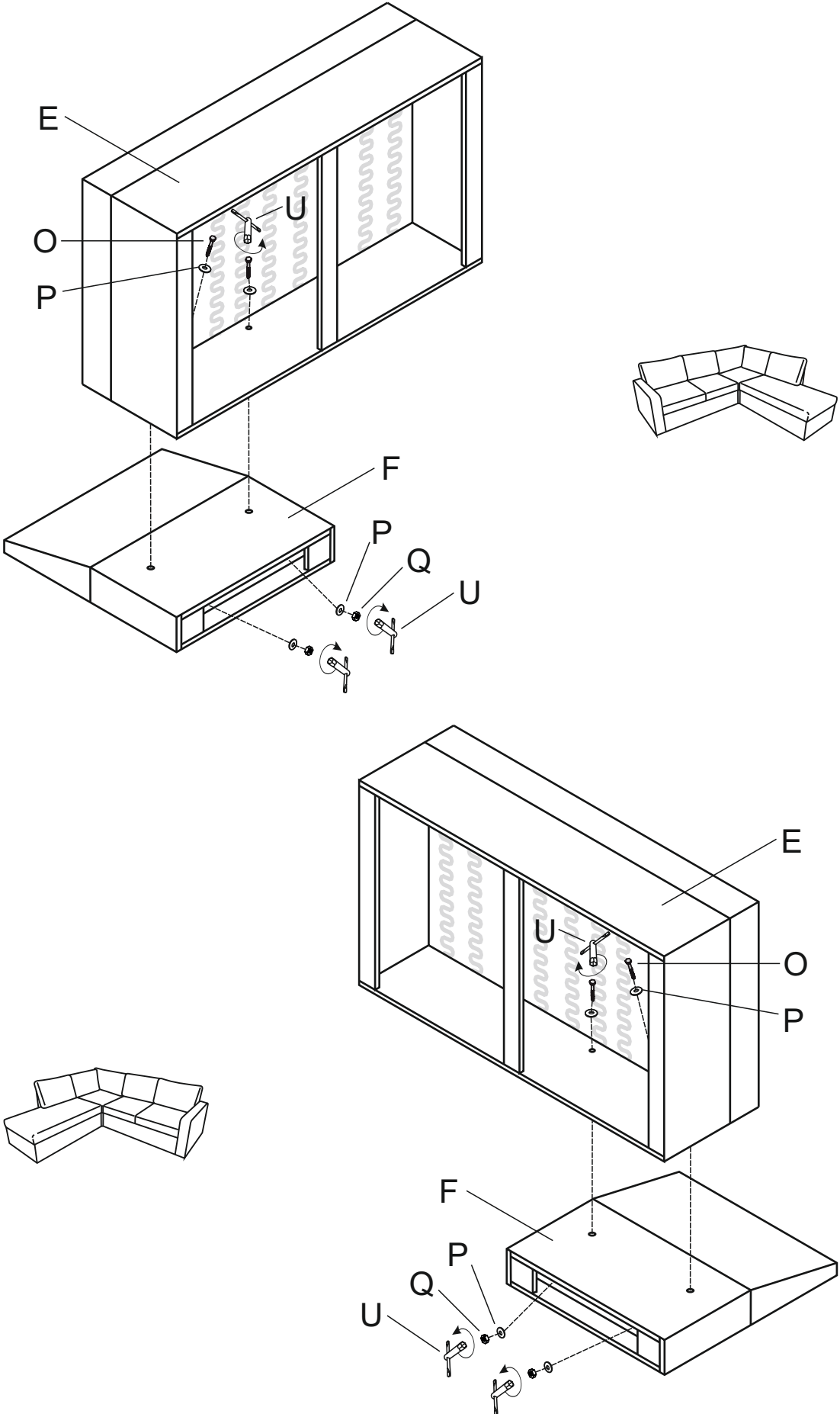
13



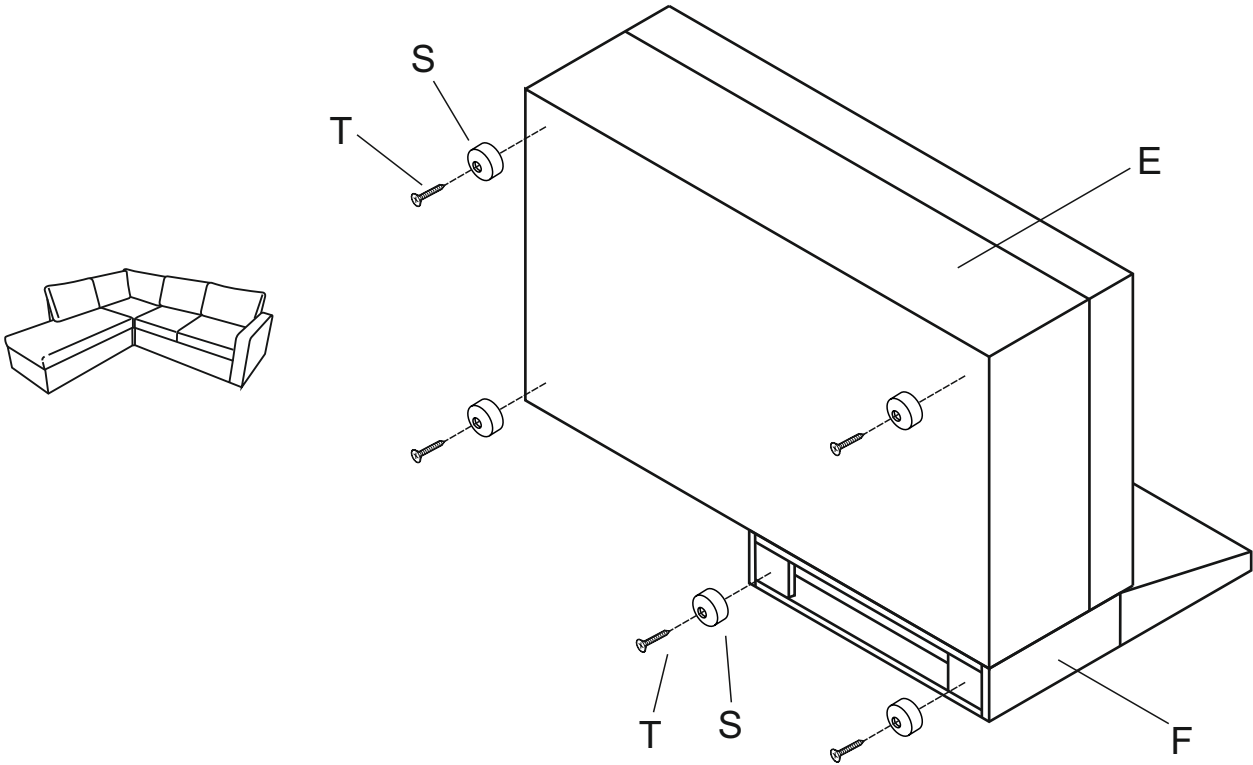
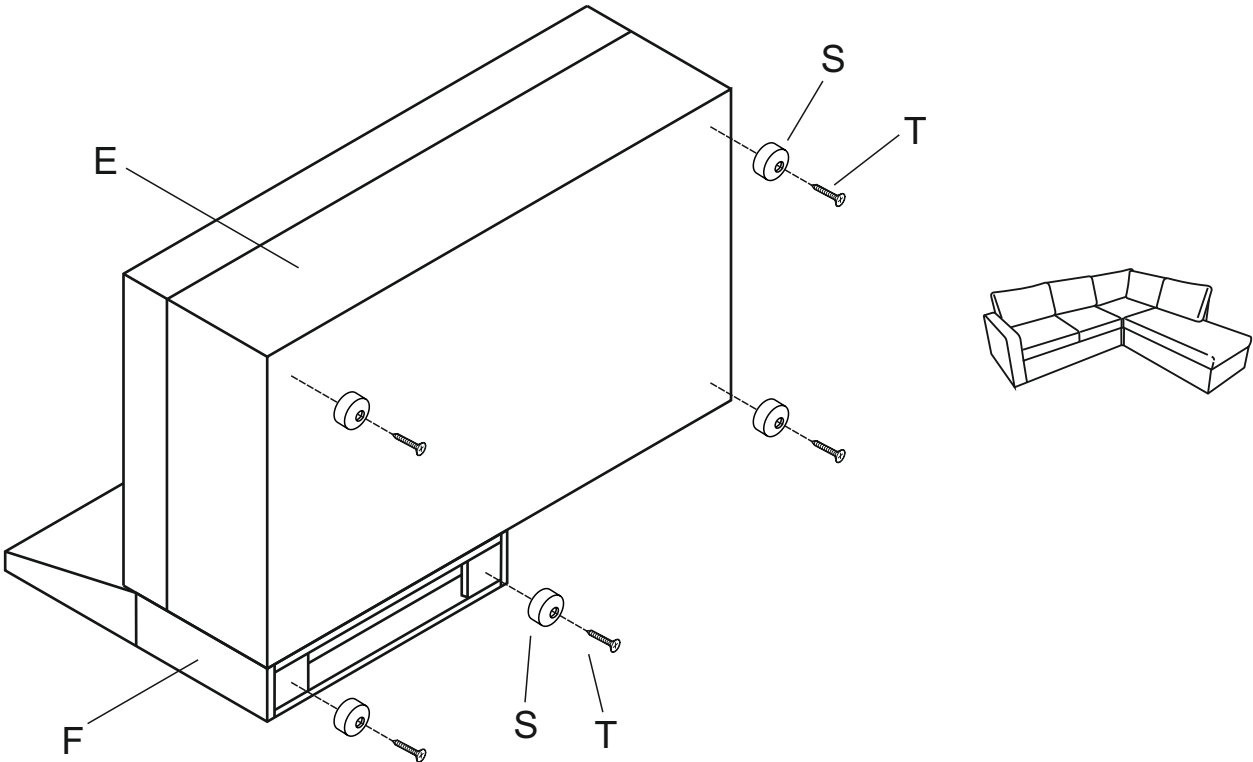
14



Oregon 2-seater + corner + rest

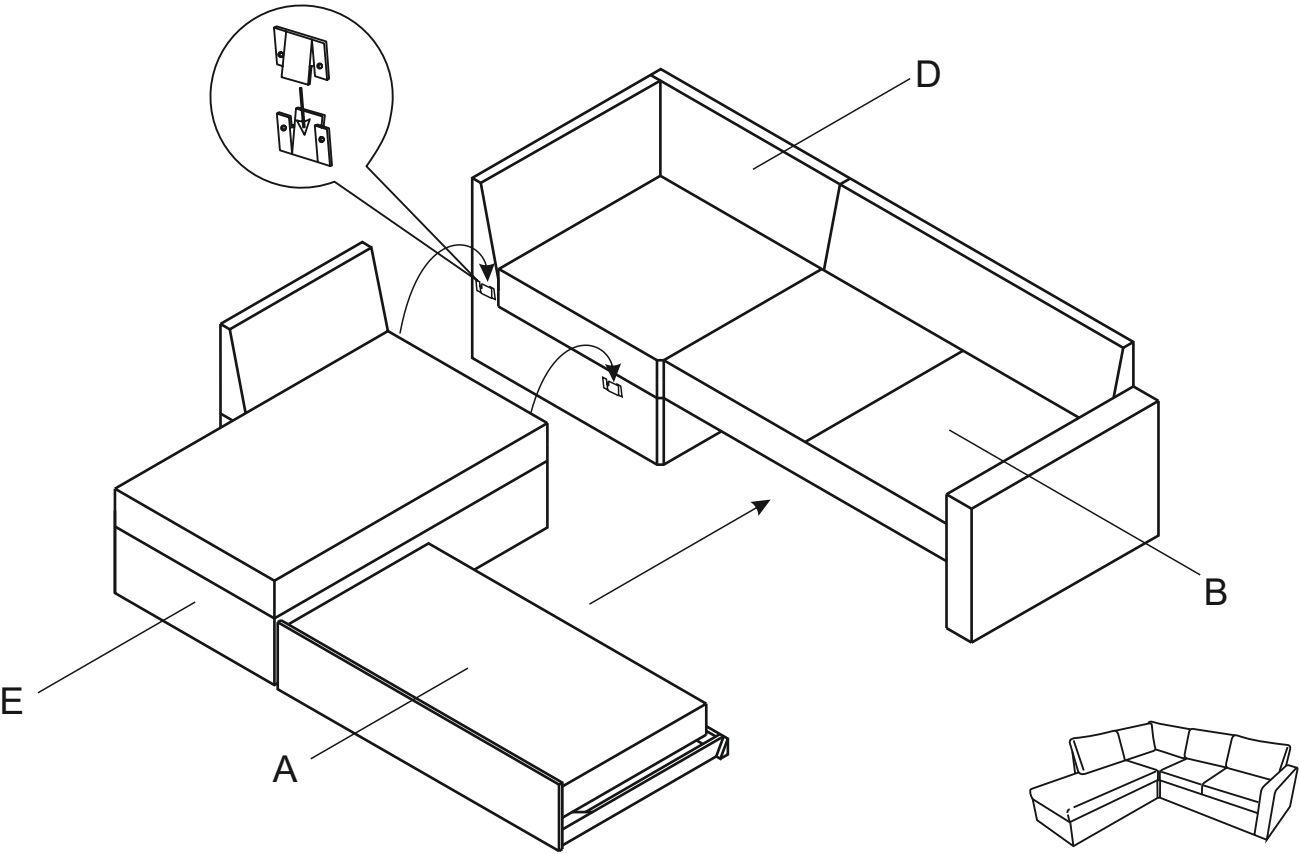
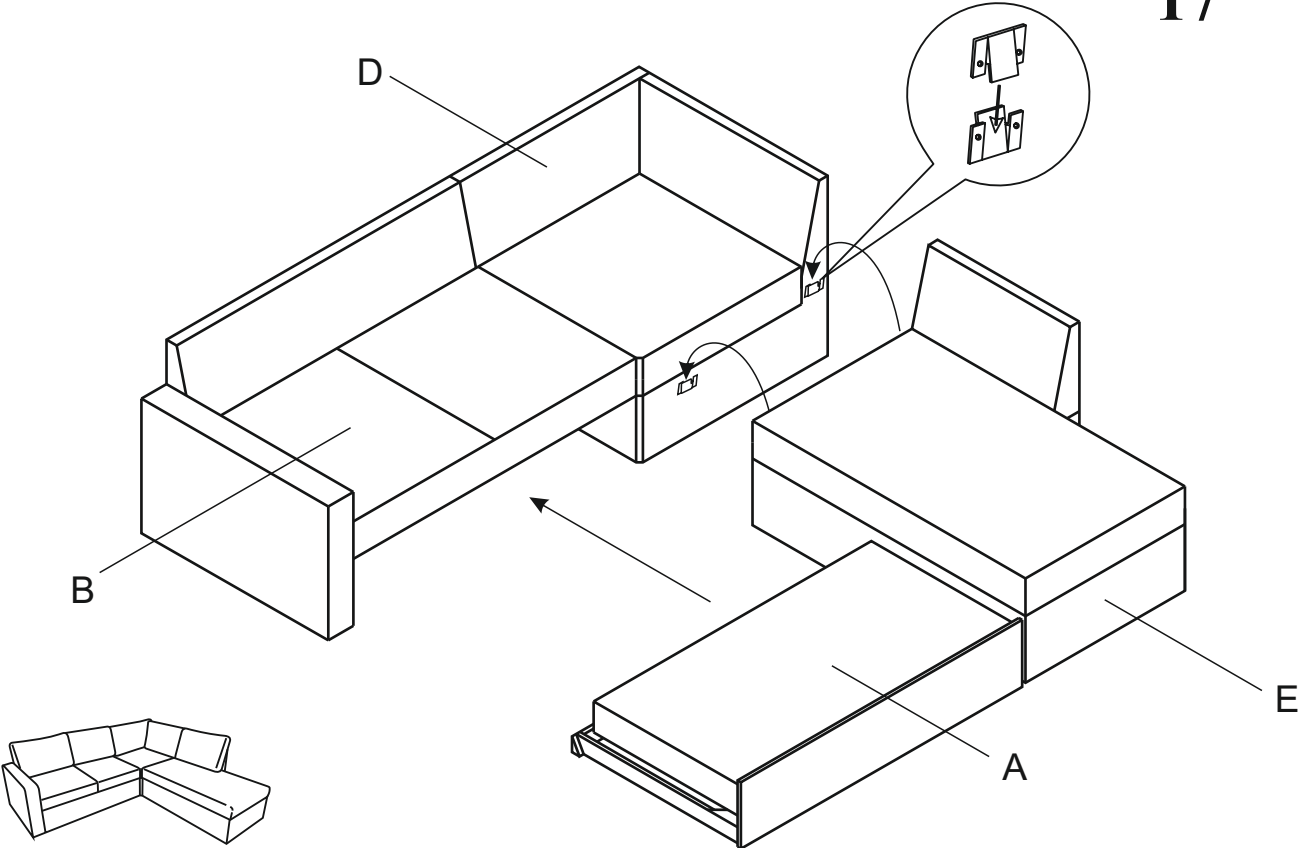


Oregon 2-seater + corner + rest



Oregon 2-seater + corner + rest

17



Oregon 2-seater + corner + rest

