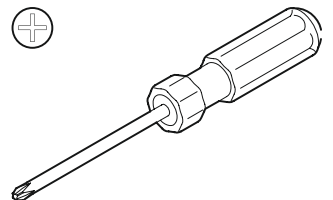
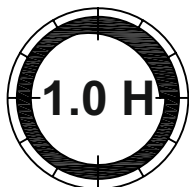
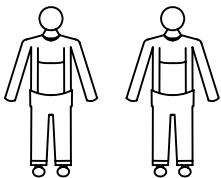
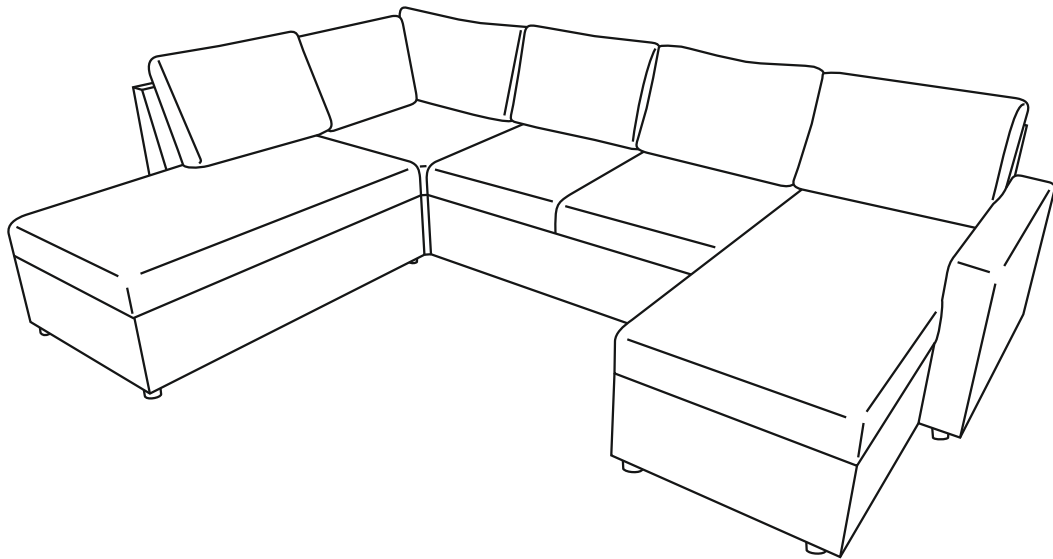
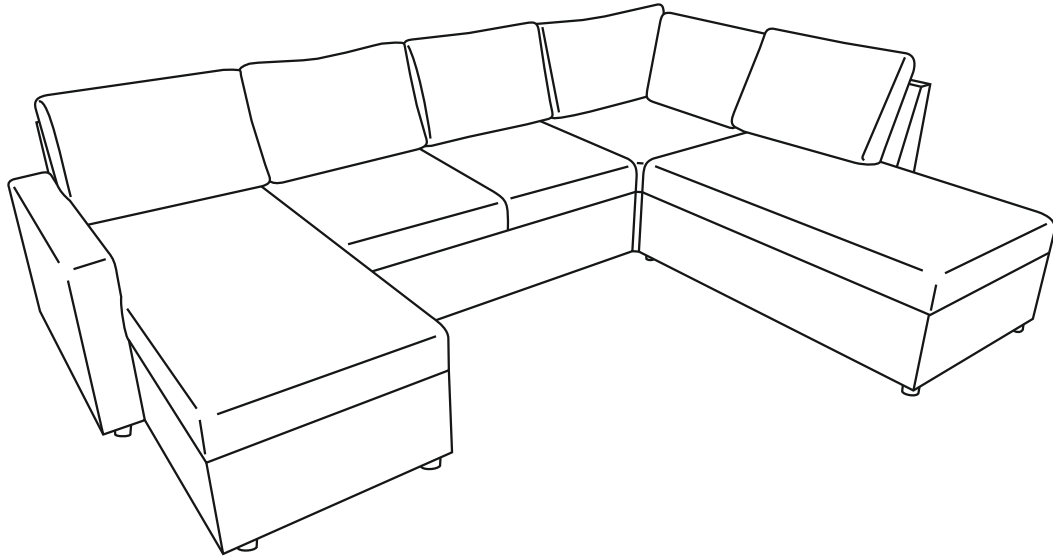
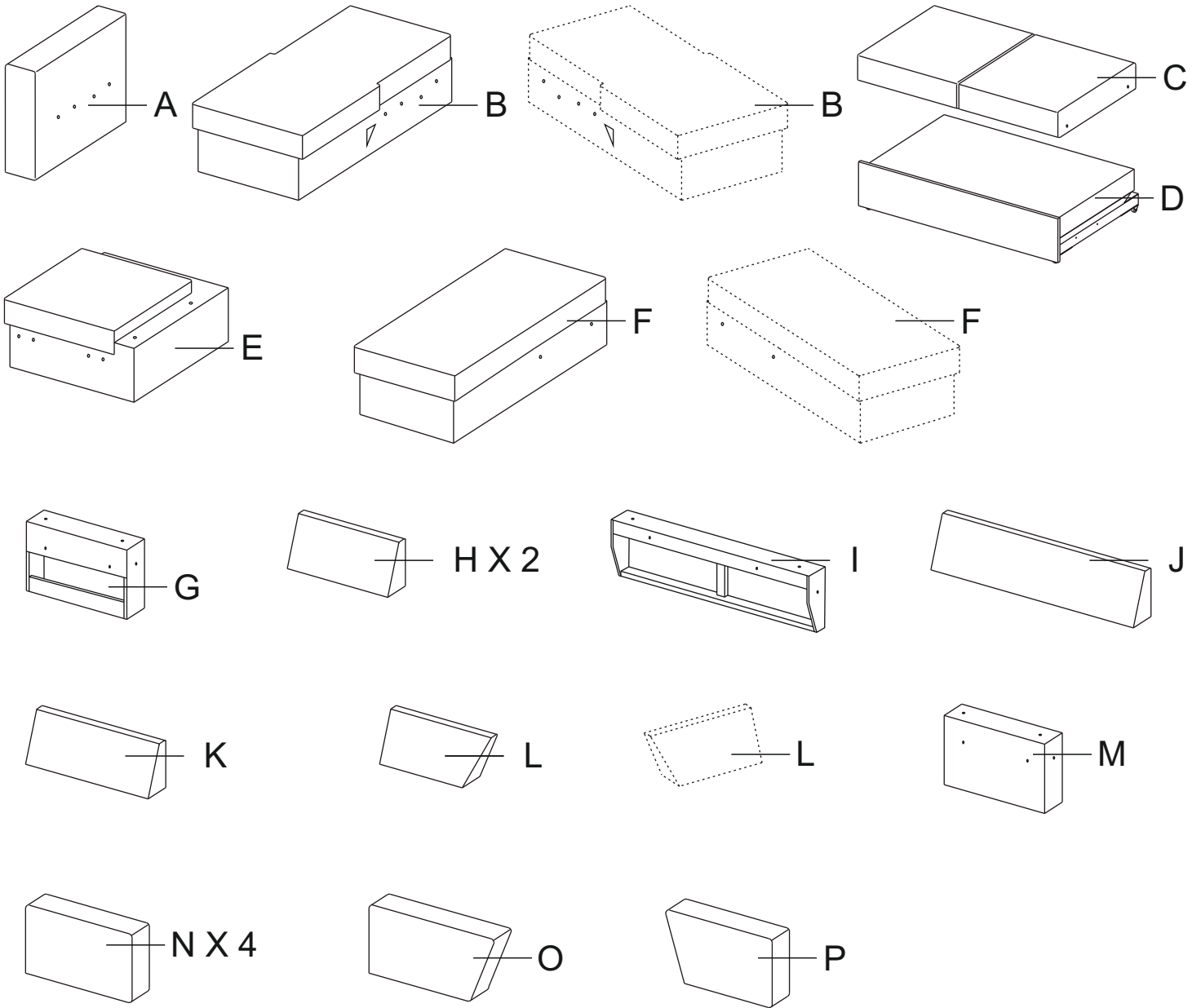

Oregon U-corner



Oregon U-corner



M8 X 50 mm

Q X 13



Ø8 X Ø24 mm

R X 33



Ø8 X Ø13 mm

S X 18



M8 X 47 mm

T X 10



Ø45 X 35 mm

U X 14

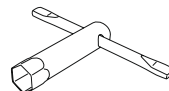


32 mm

V X 14



W X 2

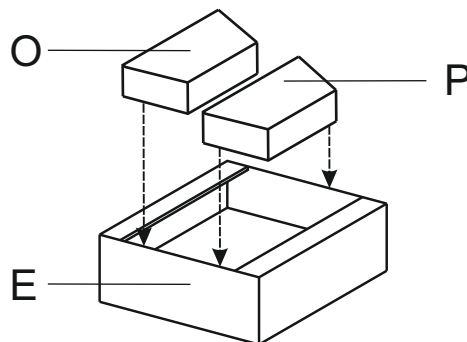
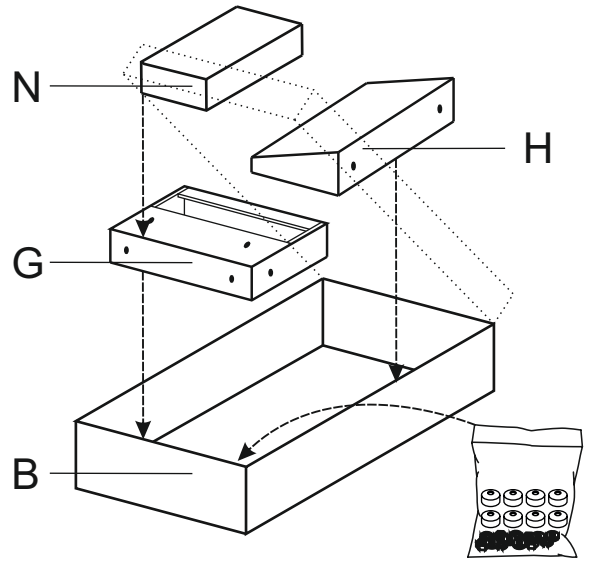
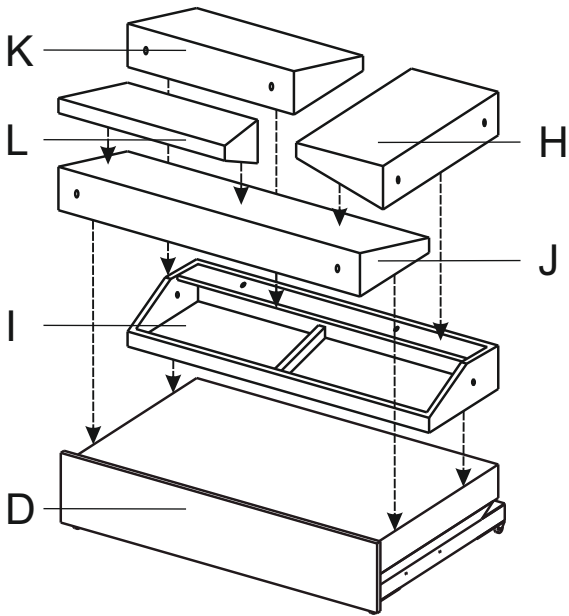
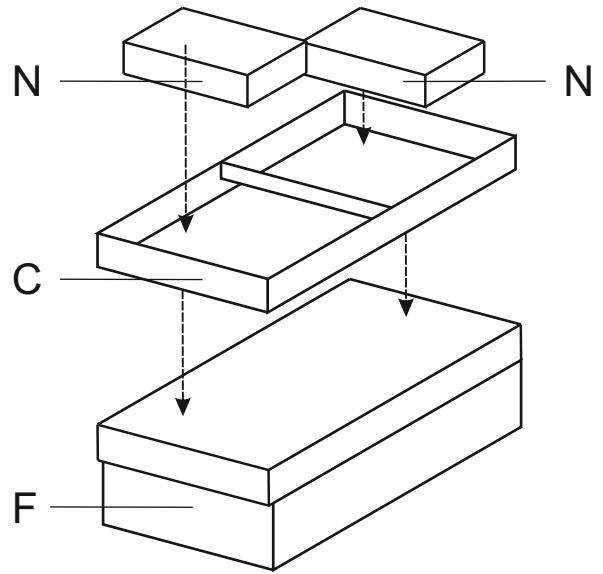
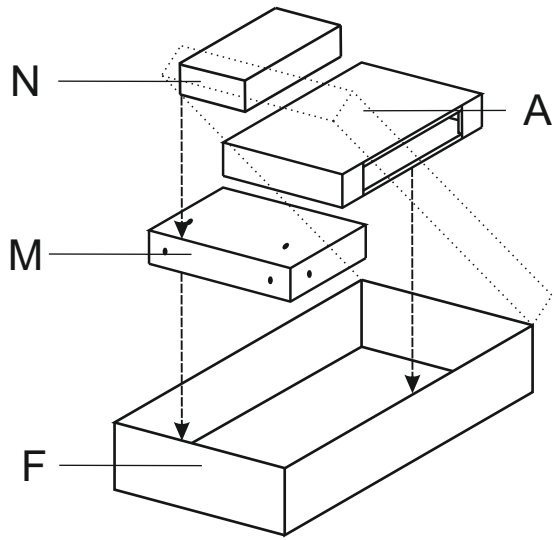


M8 X 70 mm

X X 2

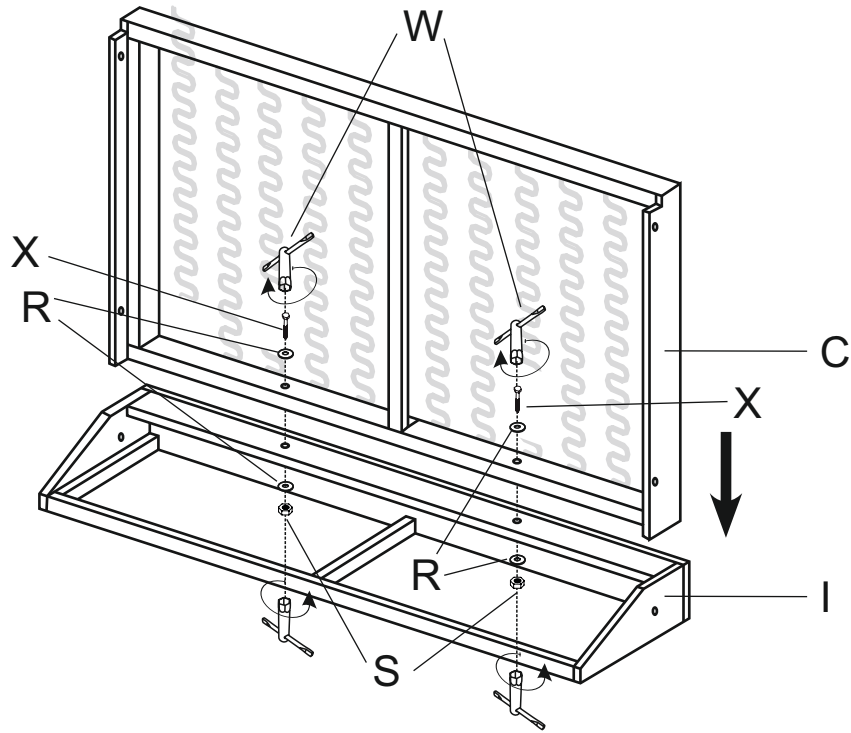


Oregon U-corner

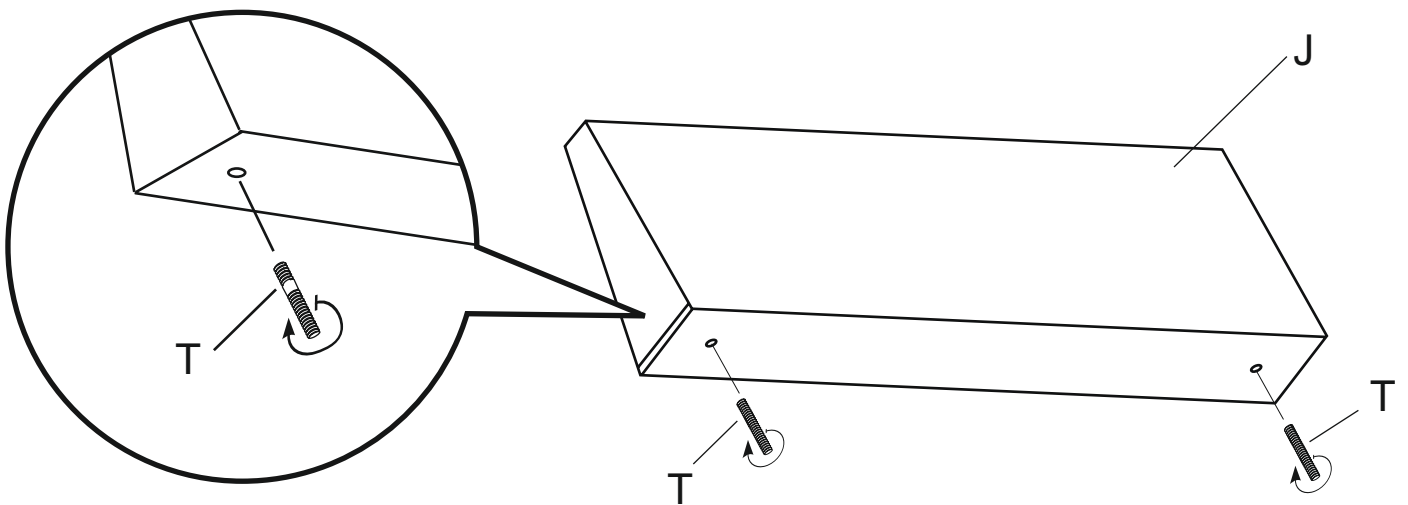


Oregon U-corner

1

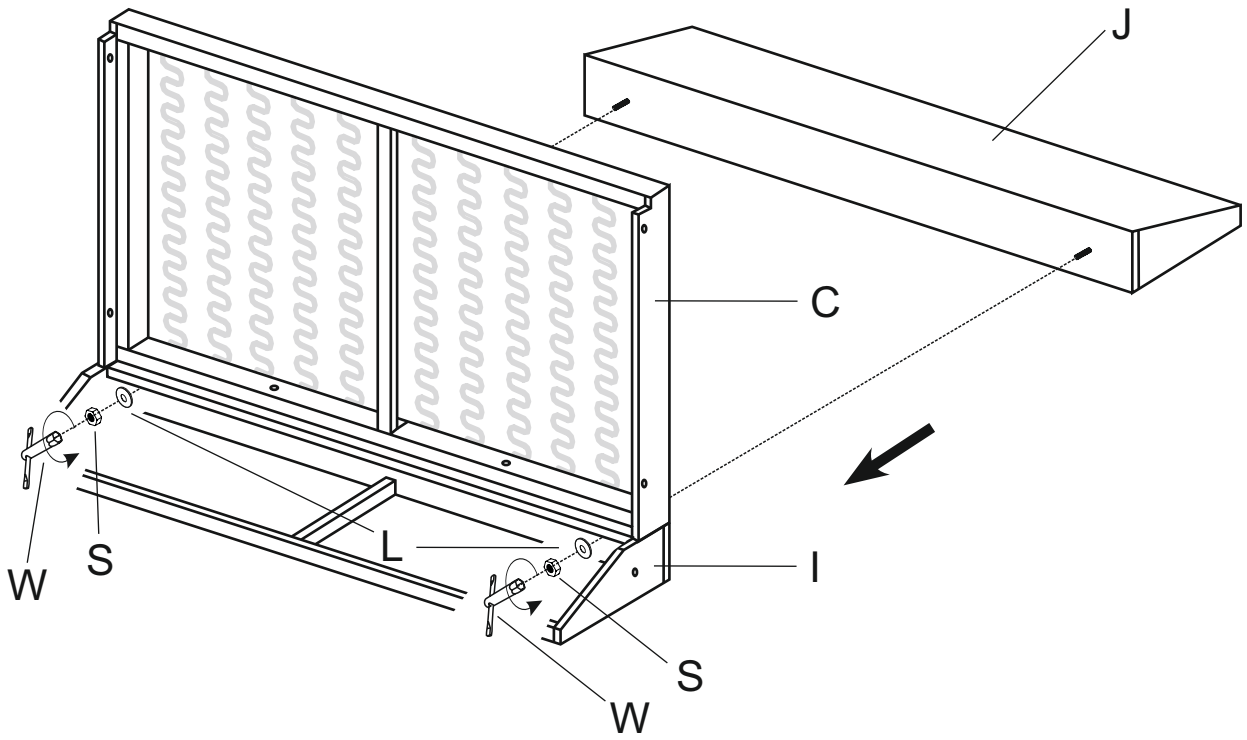


2

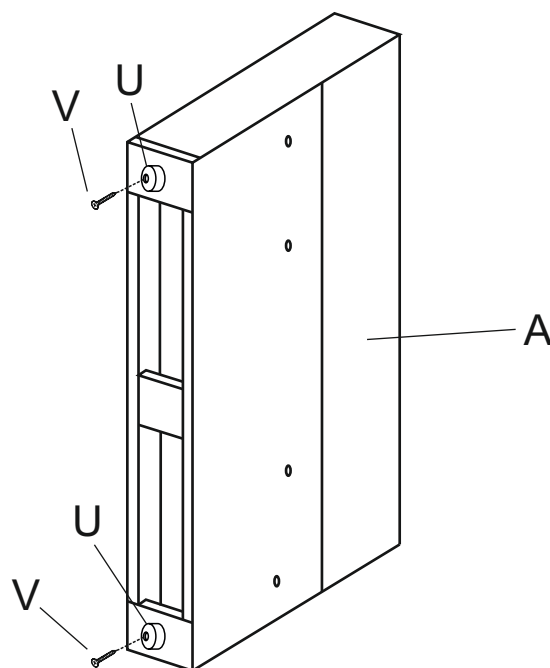


Oregon U-corner

3

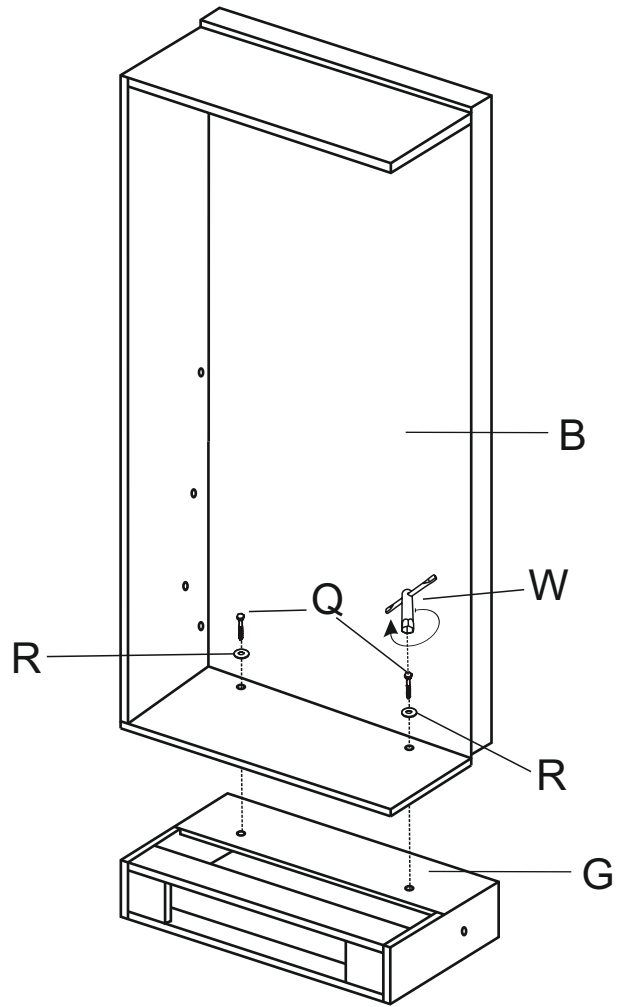


4

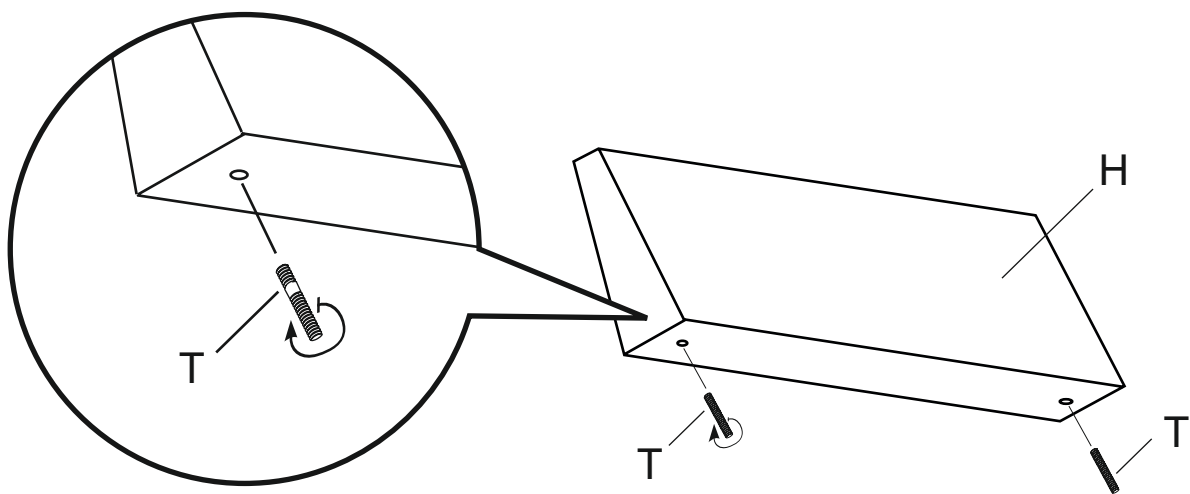


Oregon U-corner

5

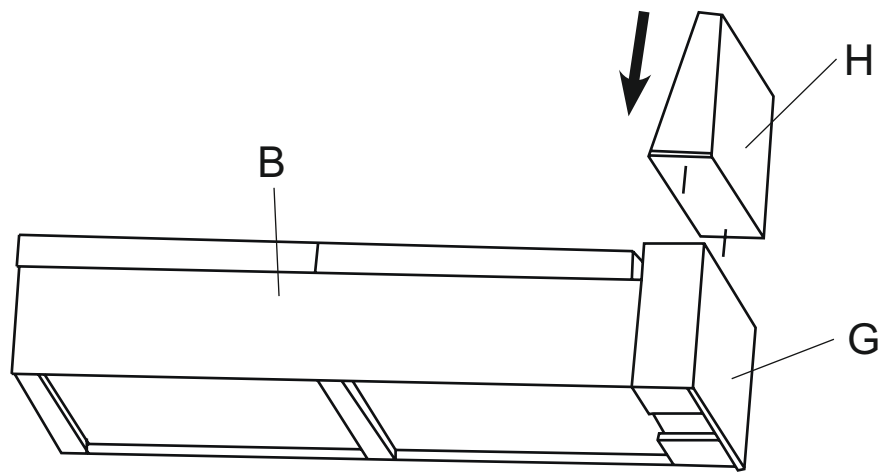


6

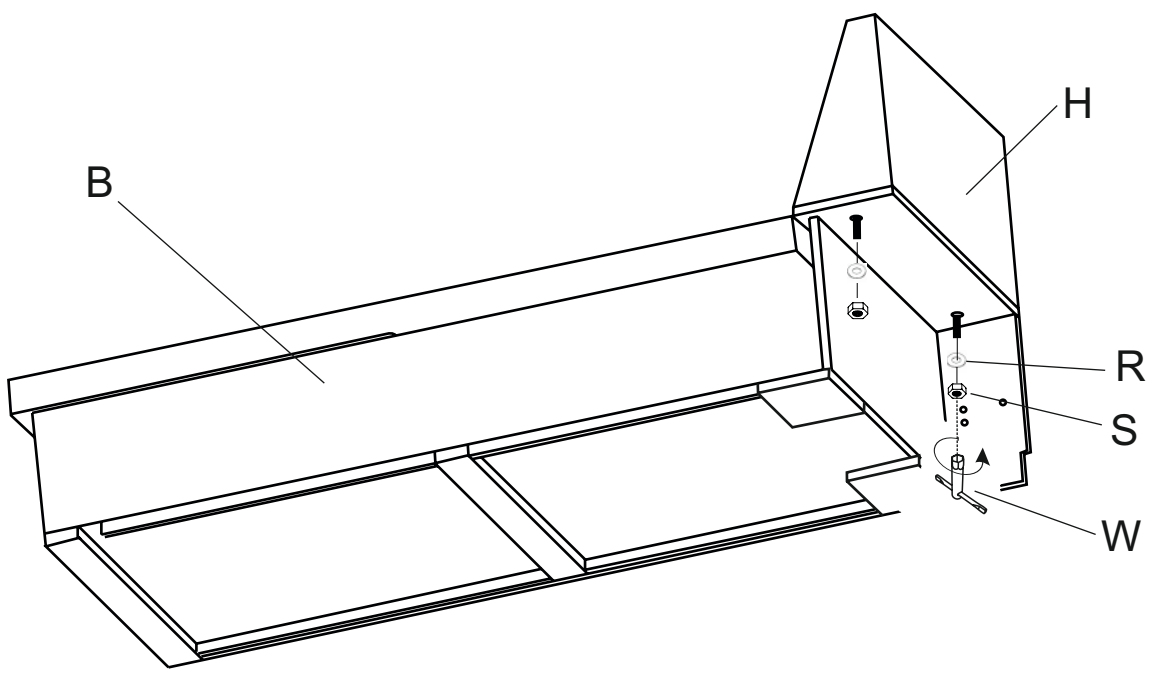


Oregon U-corner

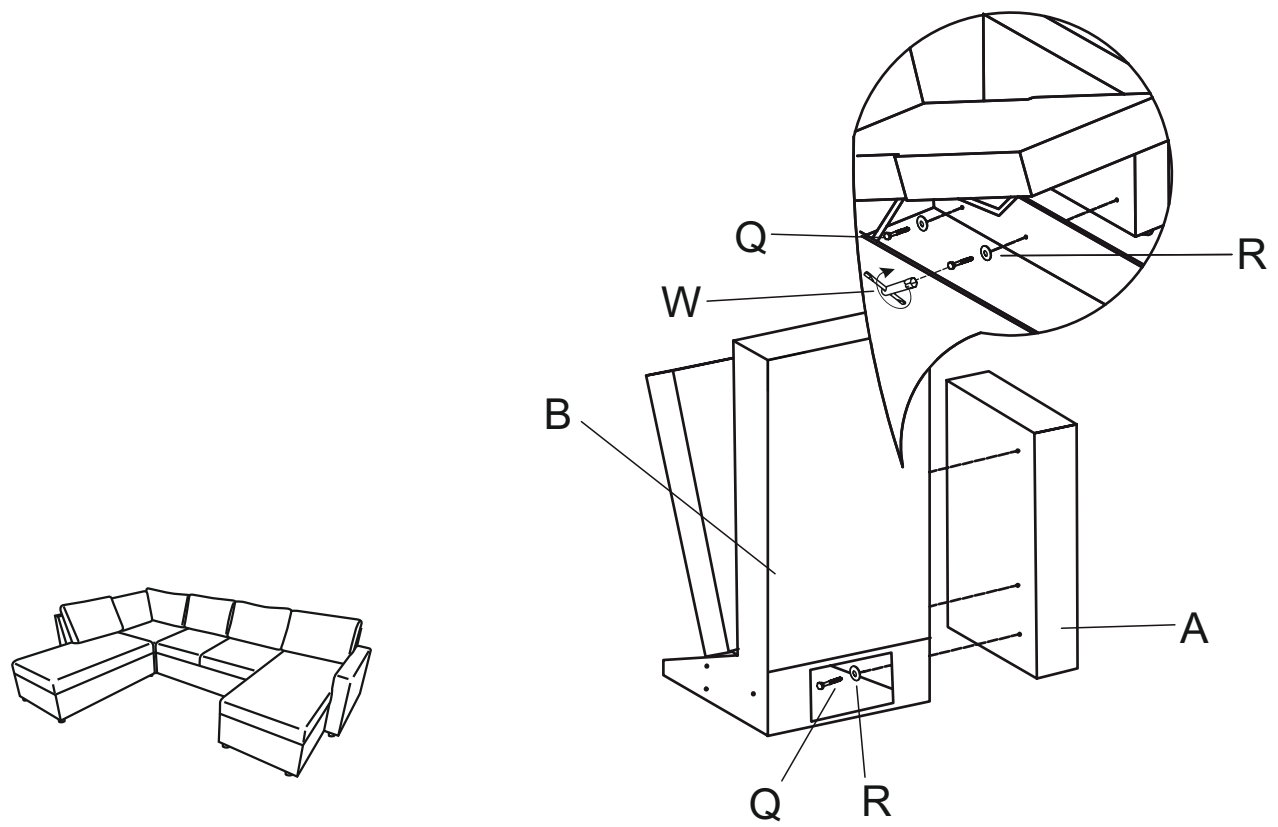
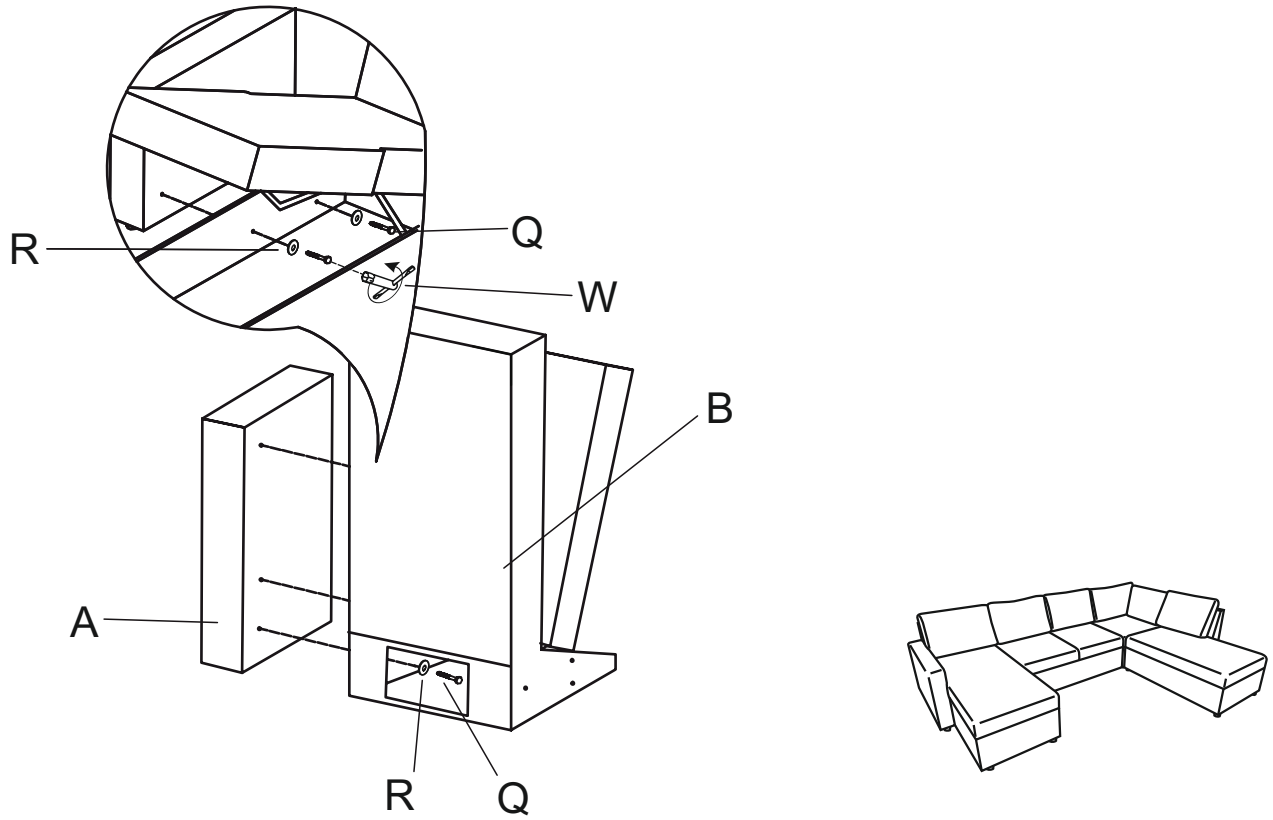
7



8

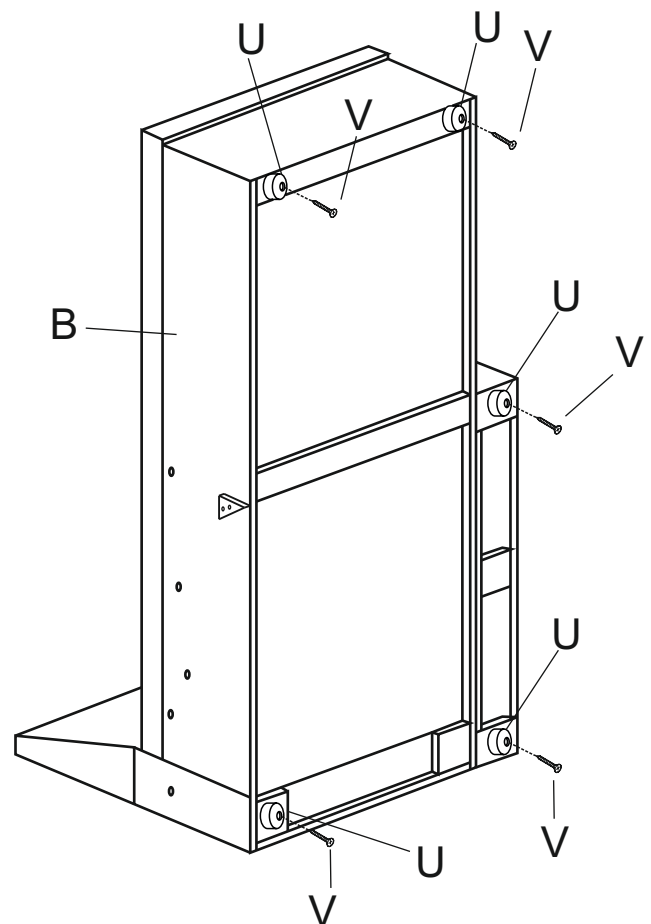
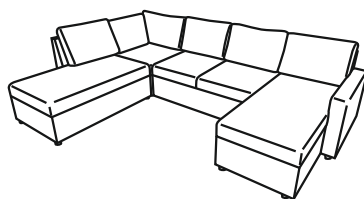
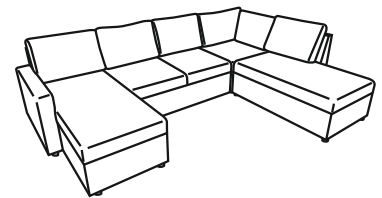
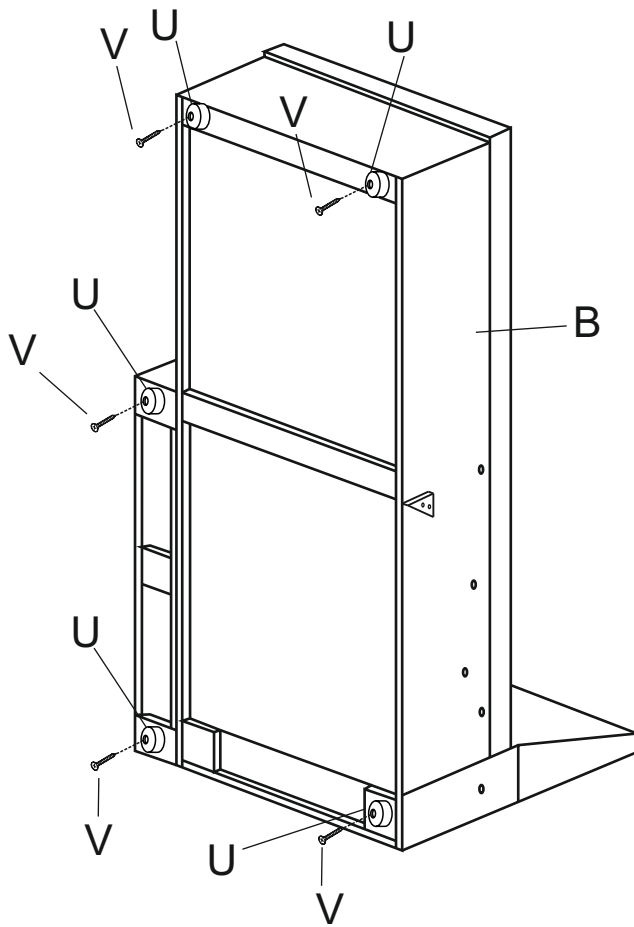


Oregon U-corner

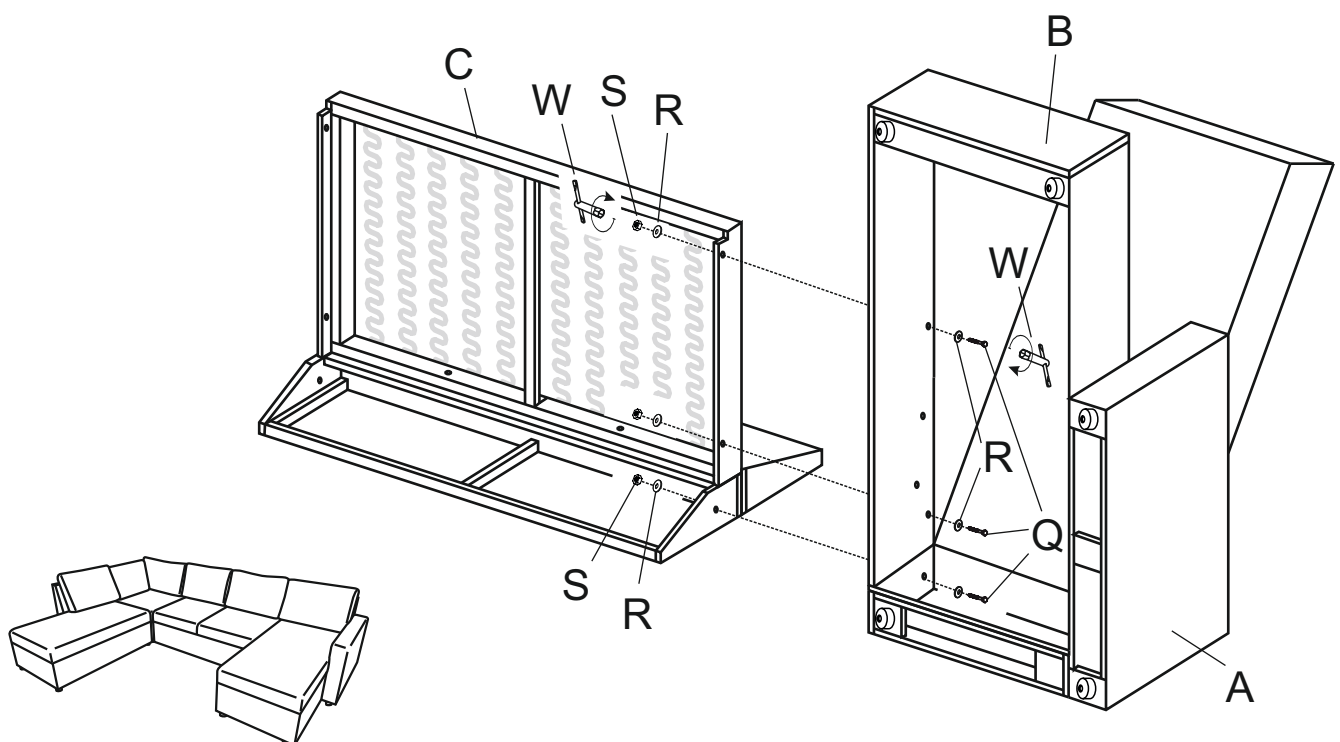
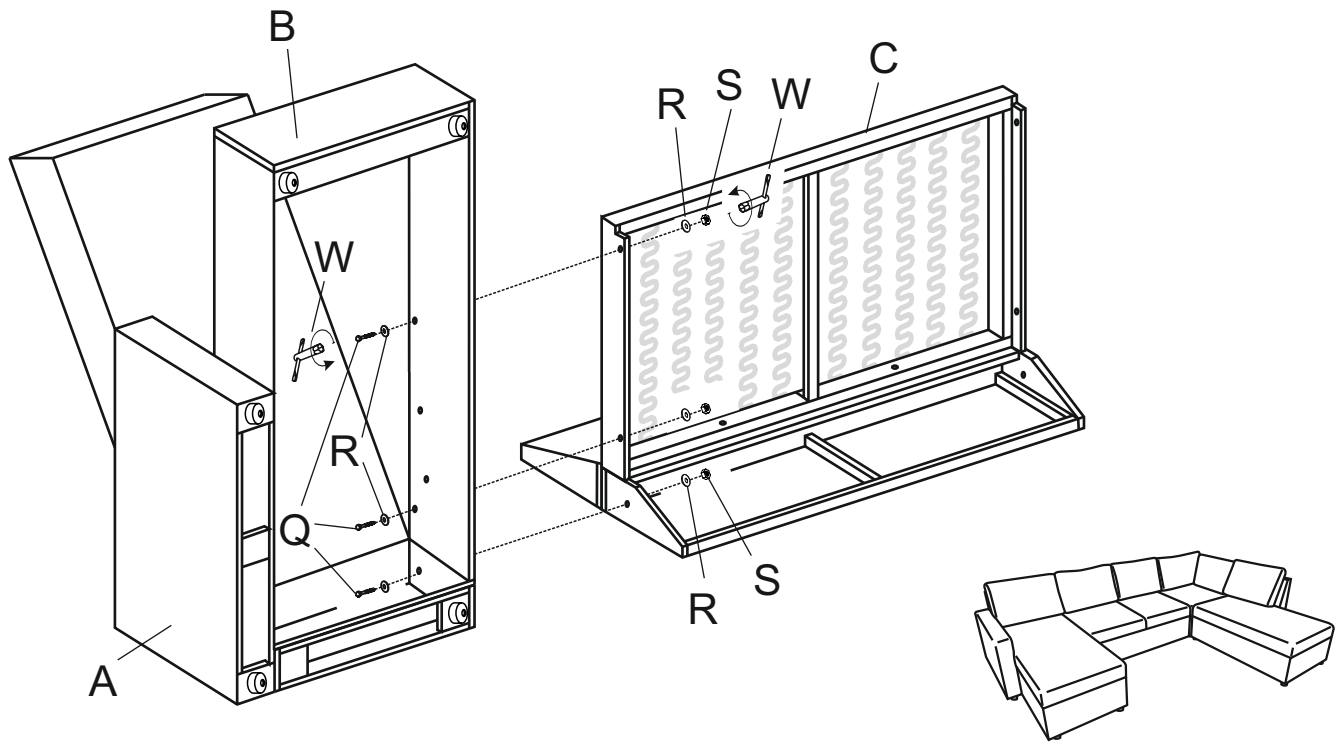


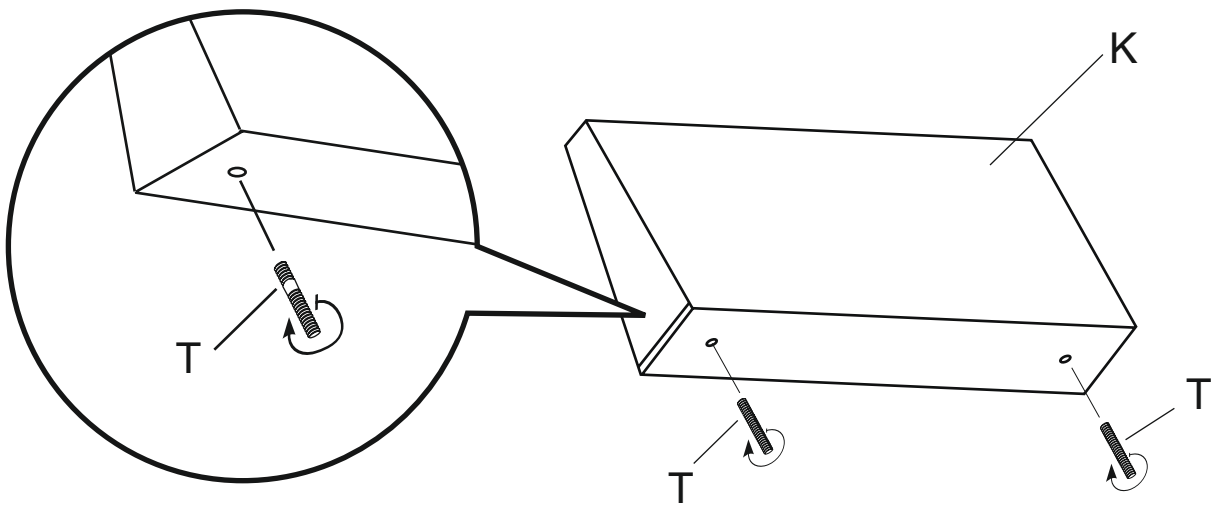
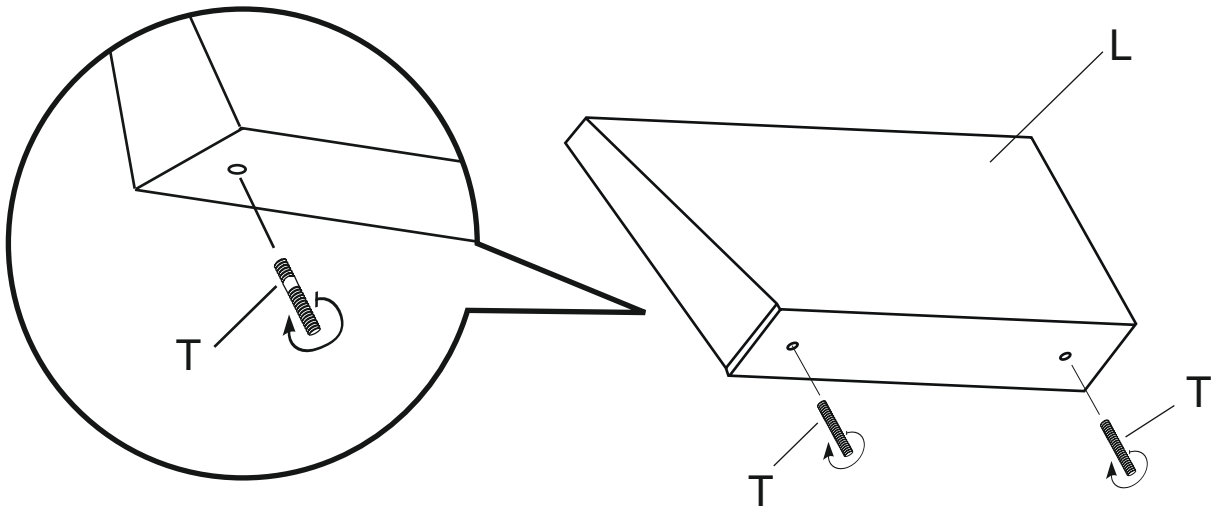
Oregon U-corner

10



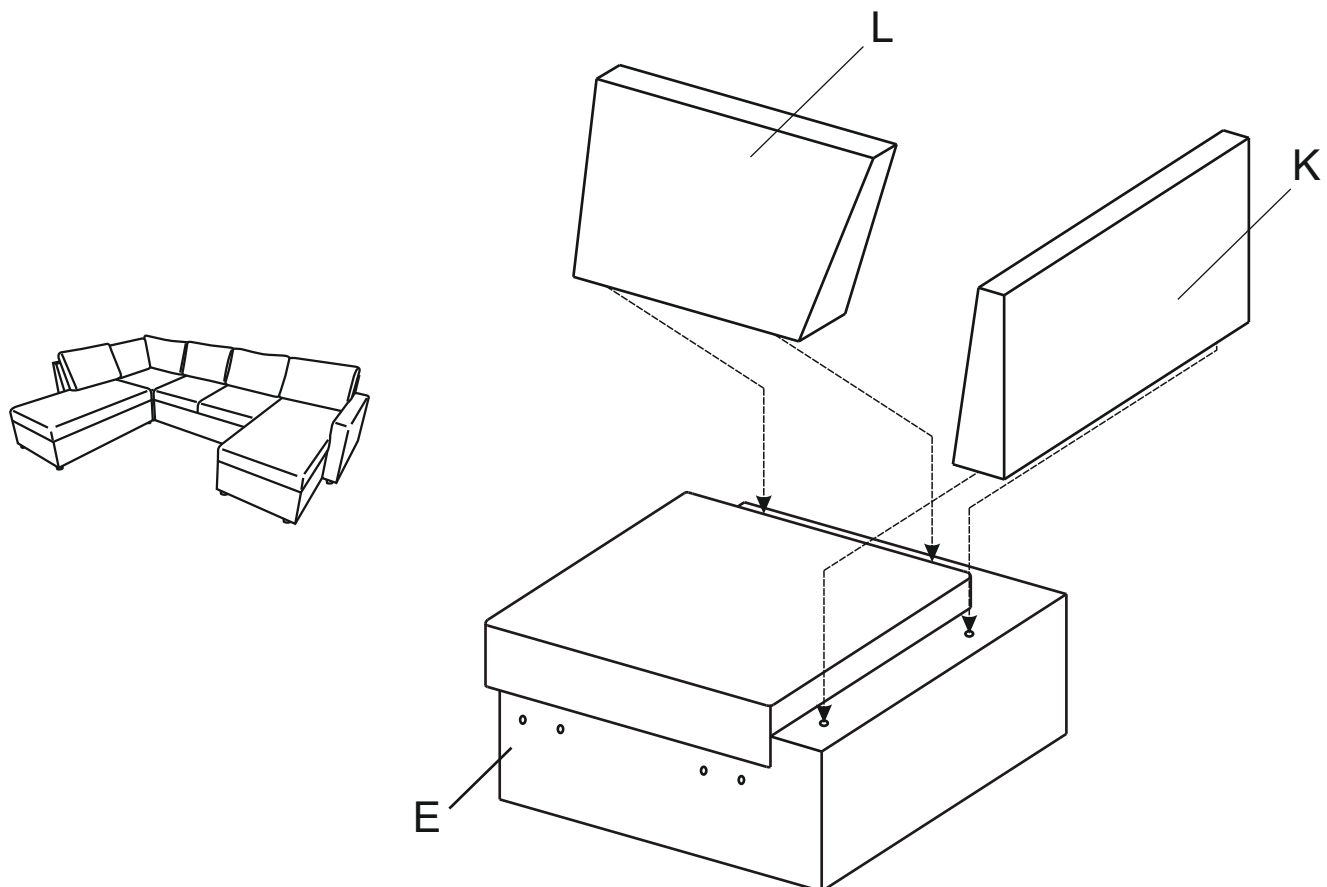
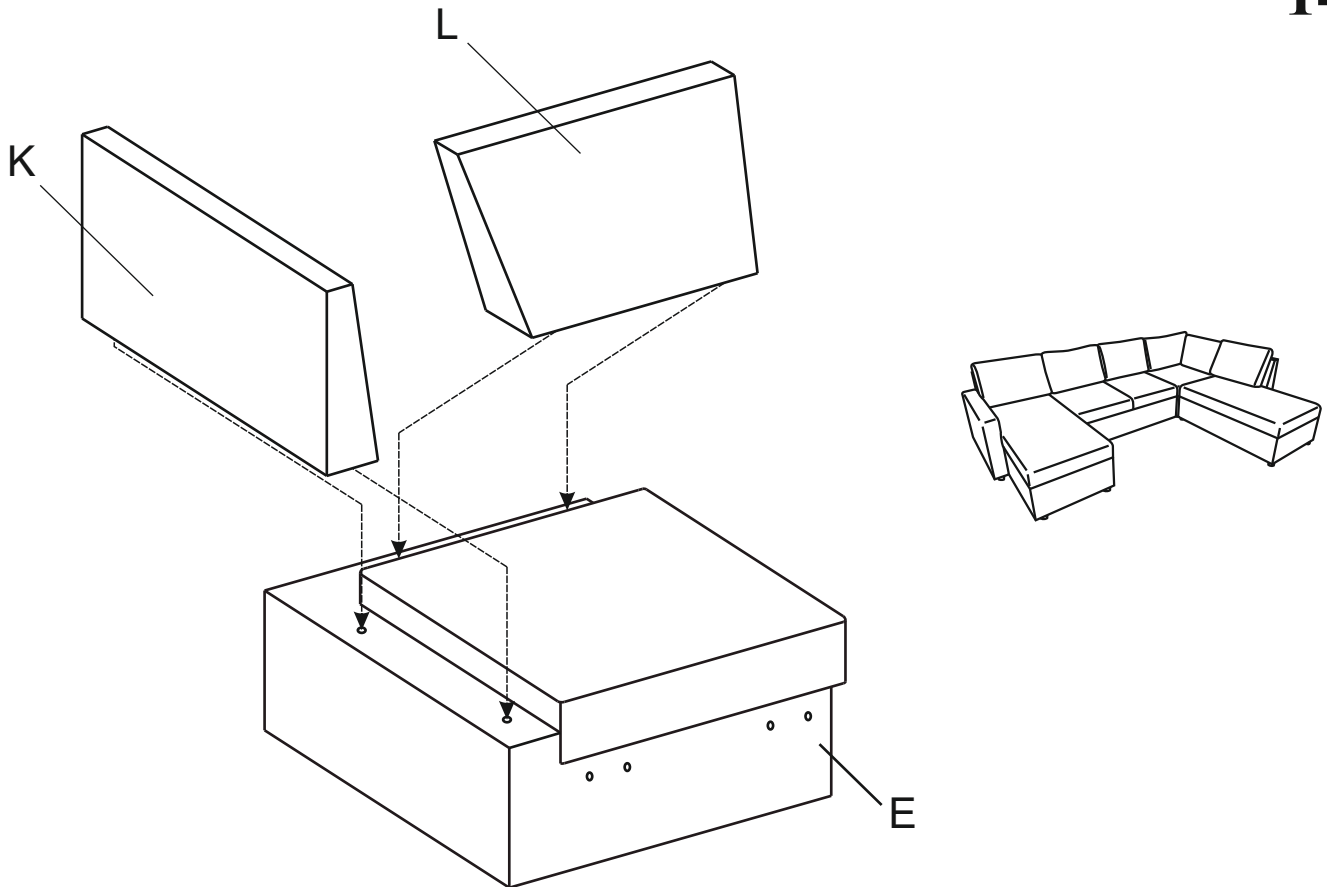
Oregon U-corner





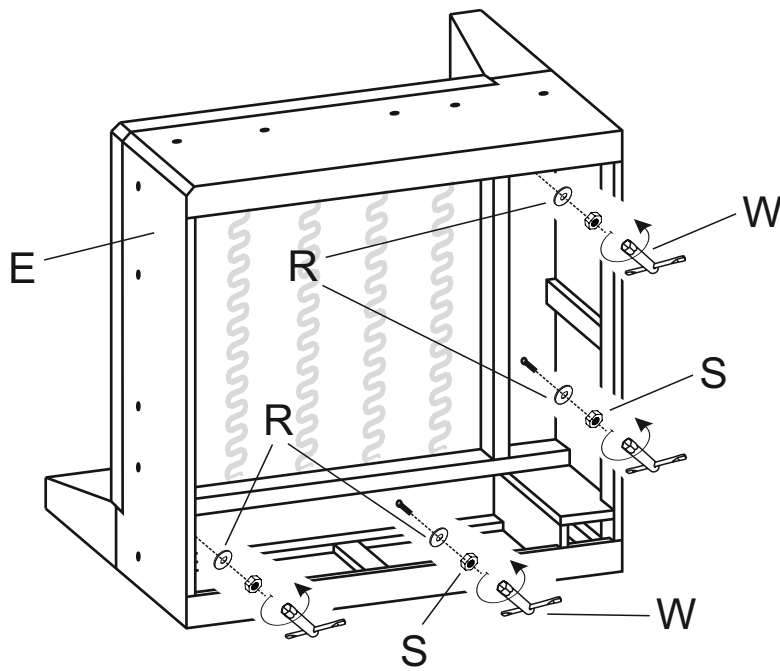
Oregon U-corner

14

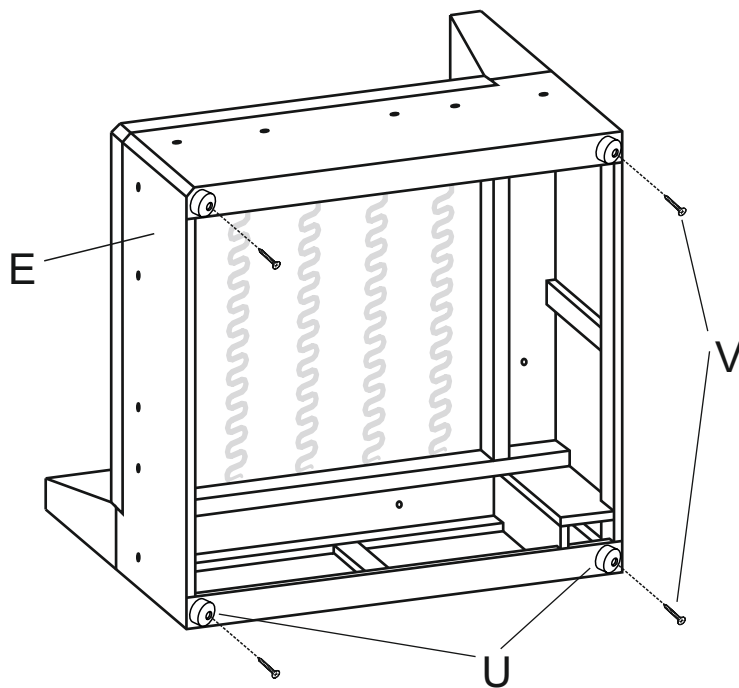


Oregon U-corner

15

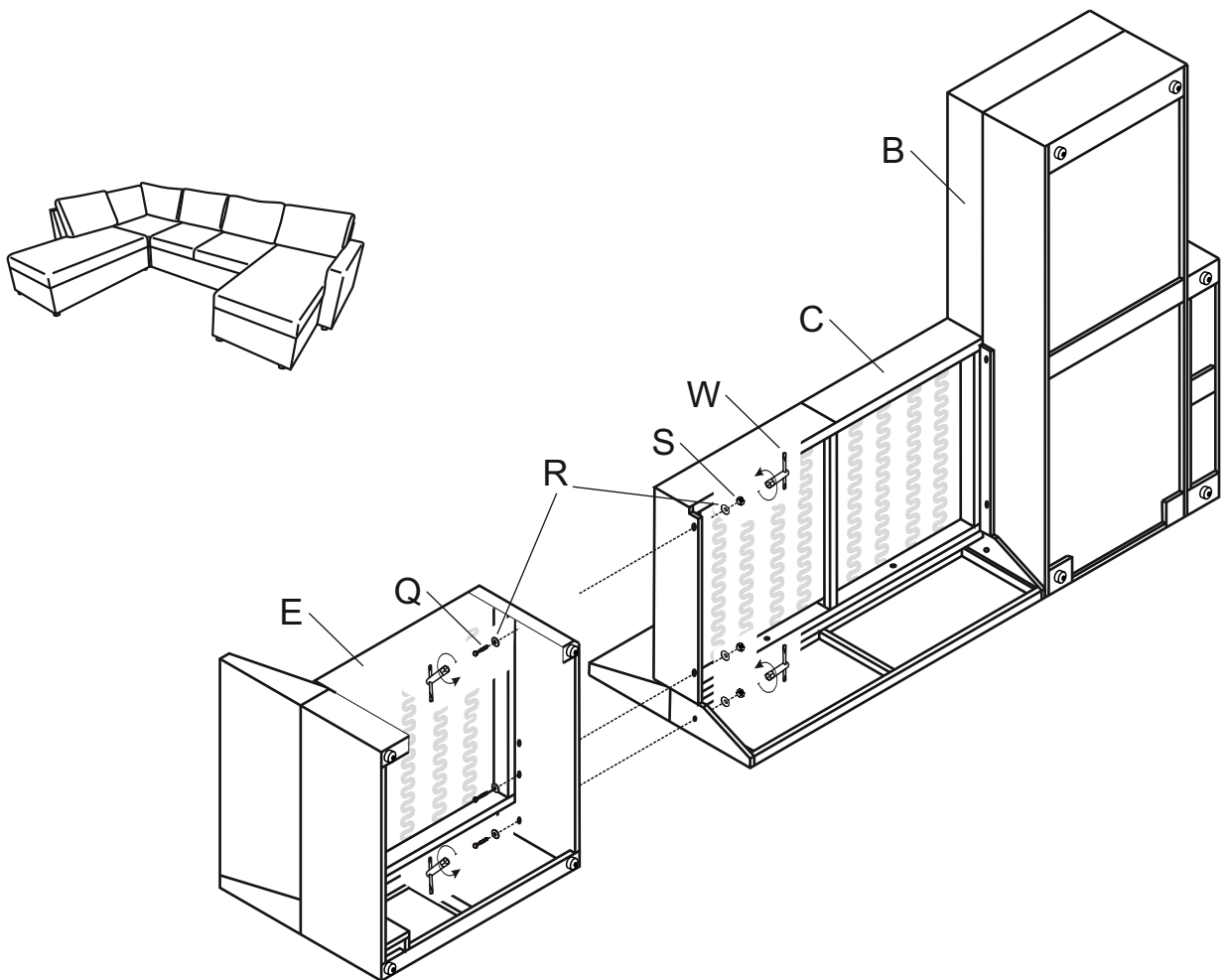
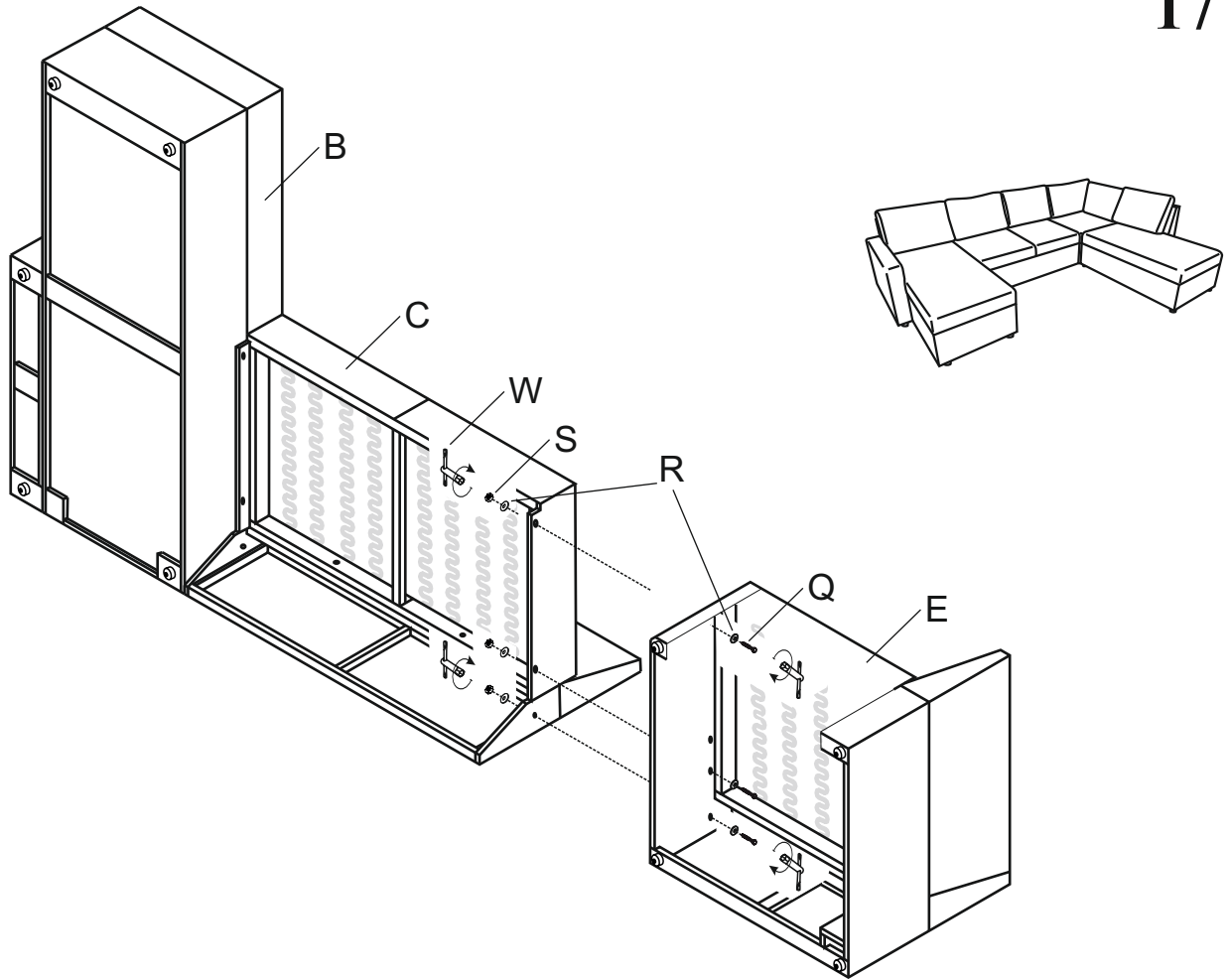


16



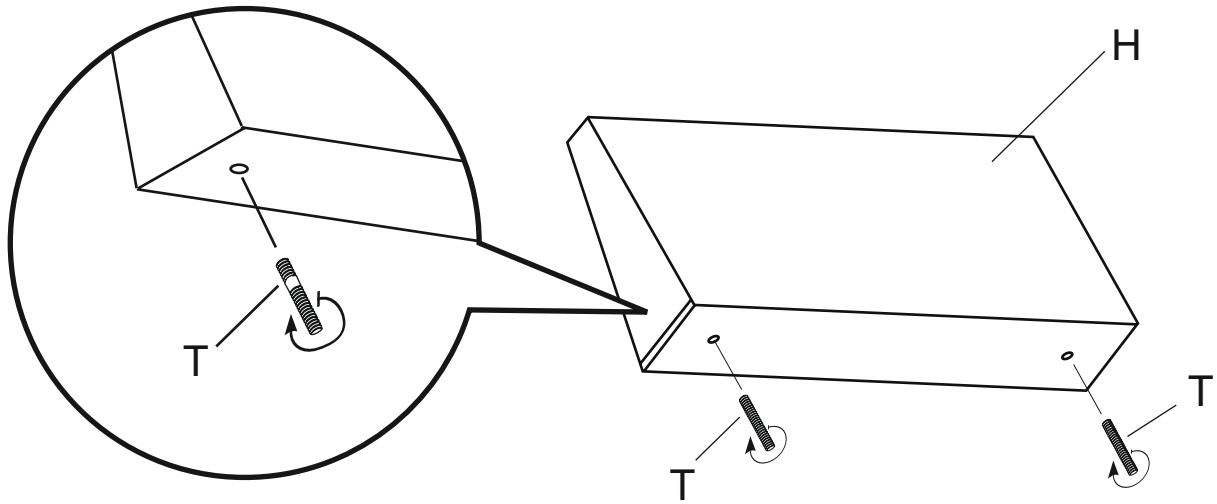
Oregon U-corner

17

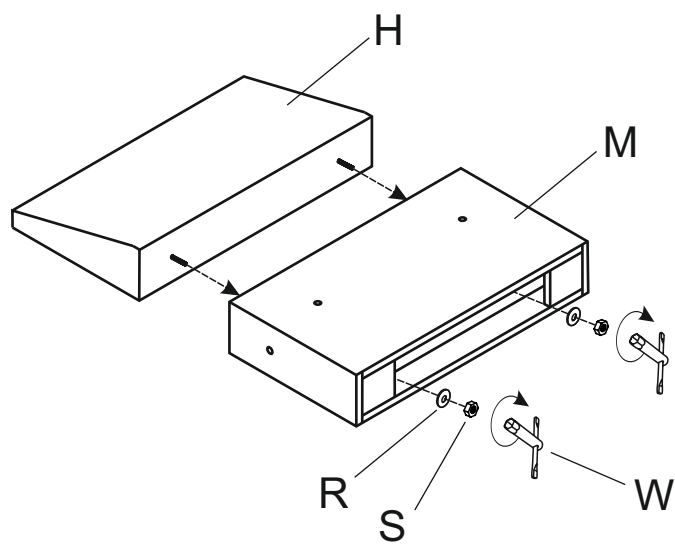


Oregon U-corner

18

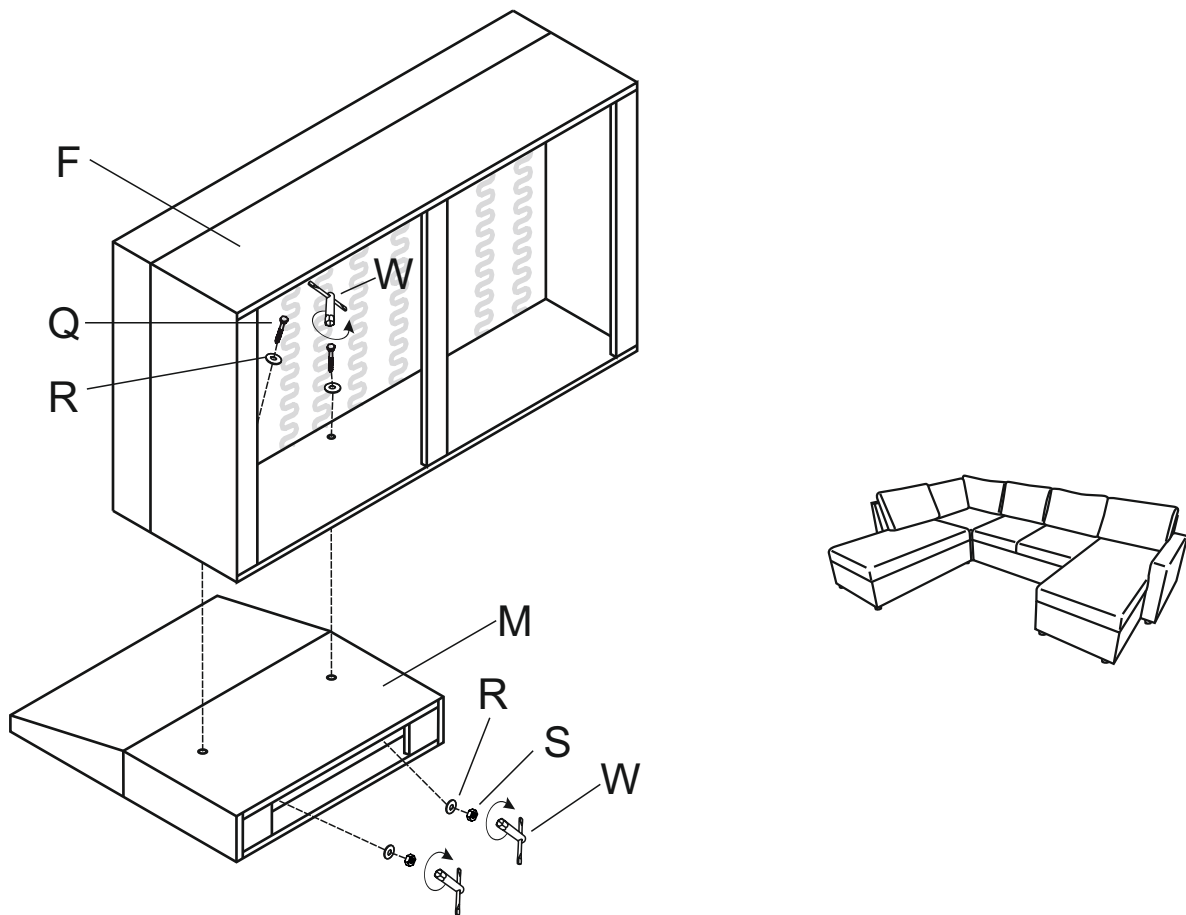
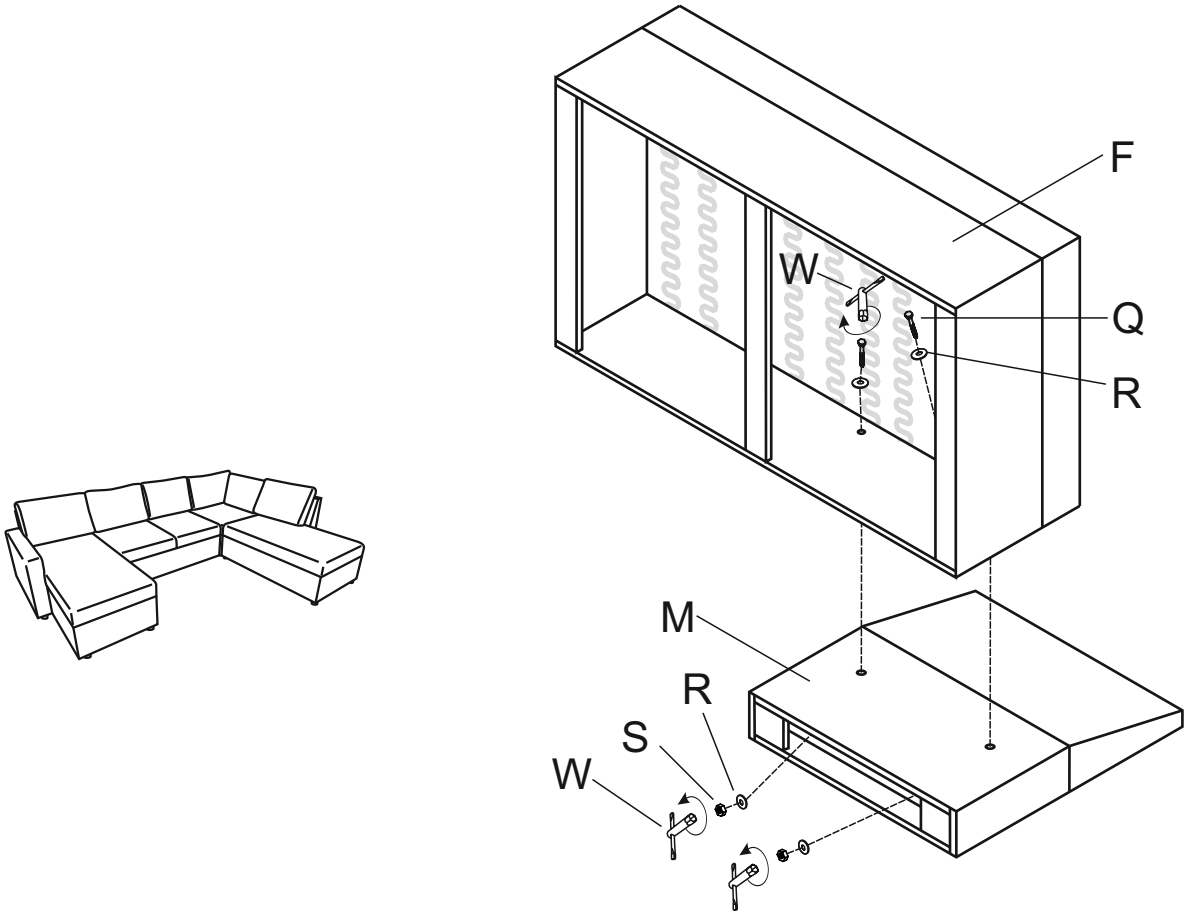


19



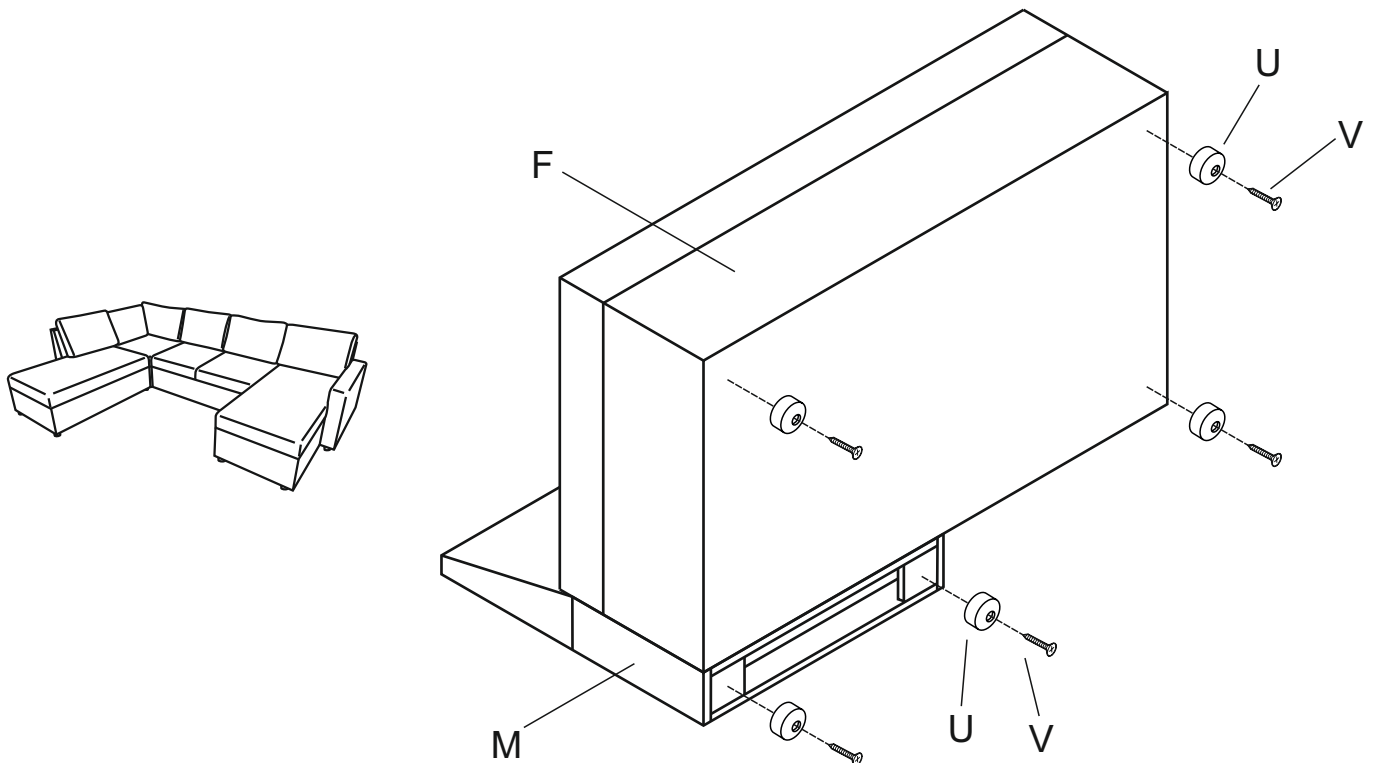
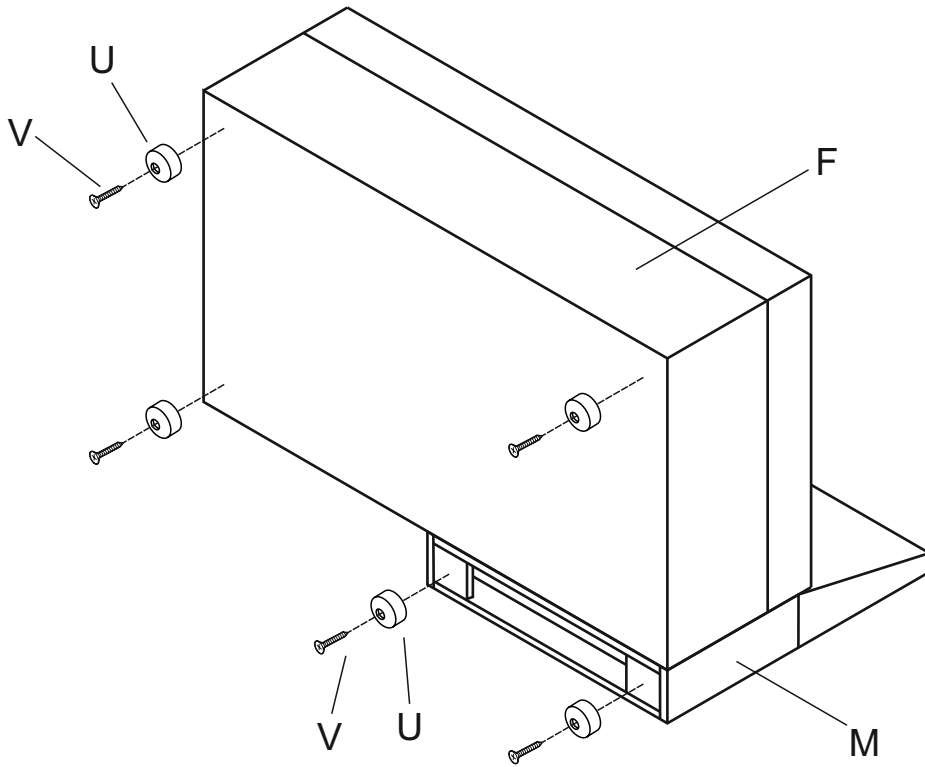
Oregon U-corner

20



Oregon U-corner

21



Oregon U-corner

22

