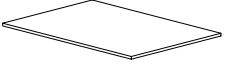

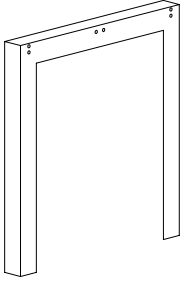
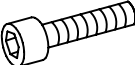
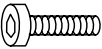



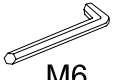
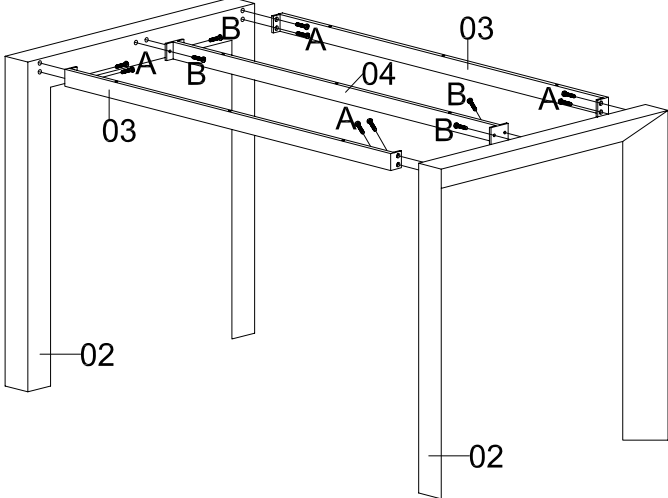


01		1X	04		1X
02		2X	A	 M8 x 20	8X
			B	 M6 x 12	4X
			C		9X
03		2X	D	 M8  M6	1X

# ASSEMBLE INSTRUCTION

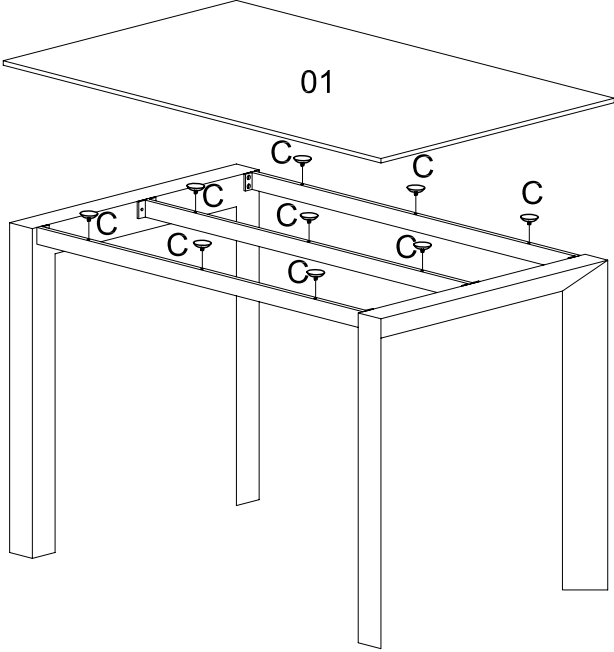
\*\*\*DO NOT TIGHTEN SCREWS UNTIL COMPLETELY ASSEMBLED\*\*\*

## 1



AX8
BX4

## 2



CX9
-----

## 3

